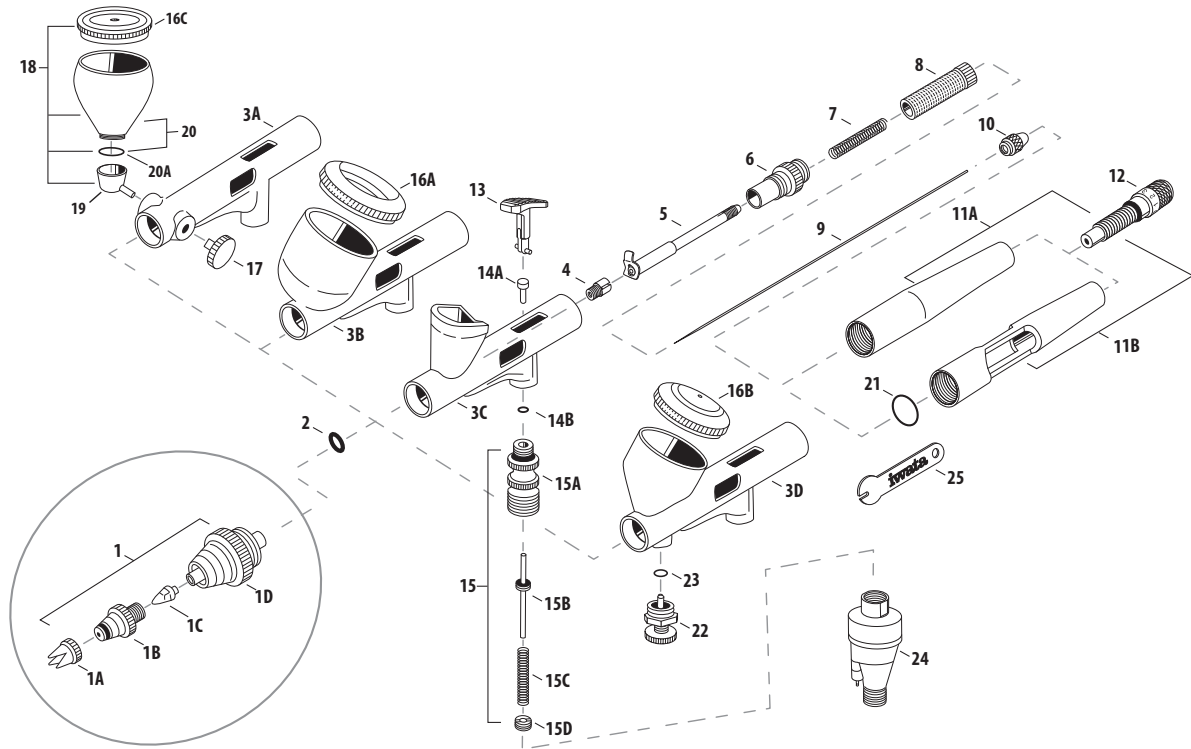


iwata

by ANEST IWATA

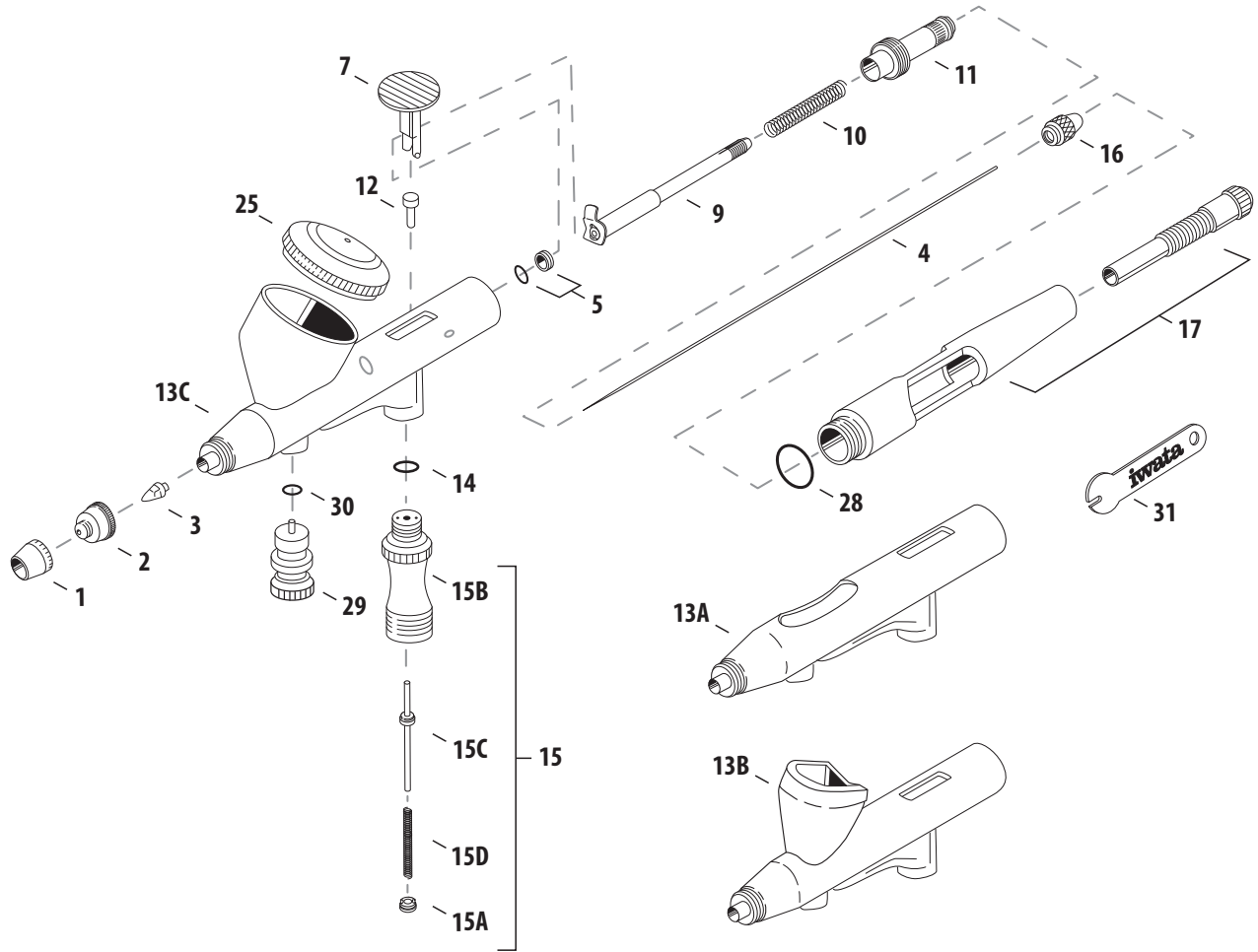


AIRBRUSH PARTS BREAKOUTS



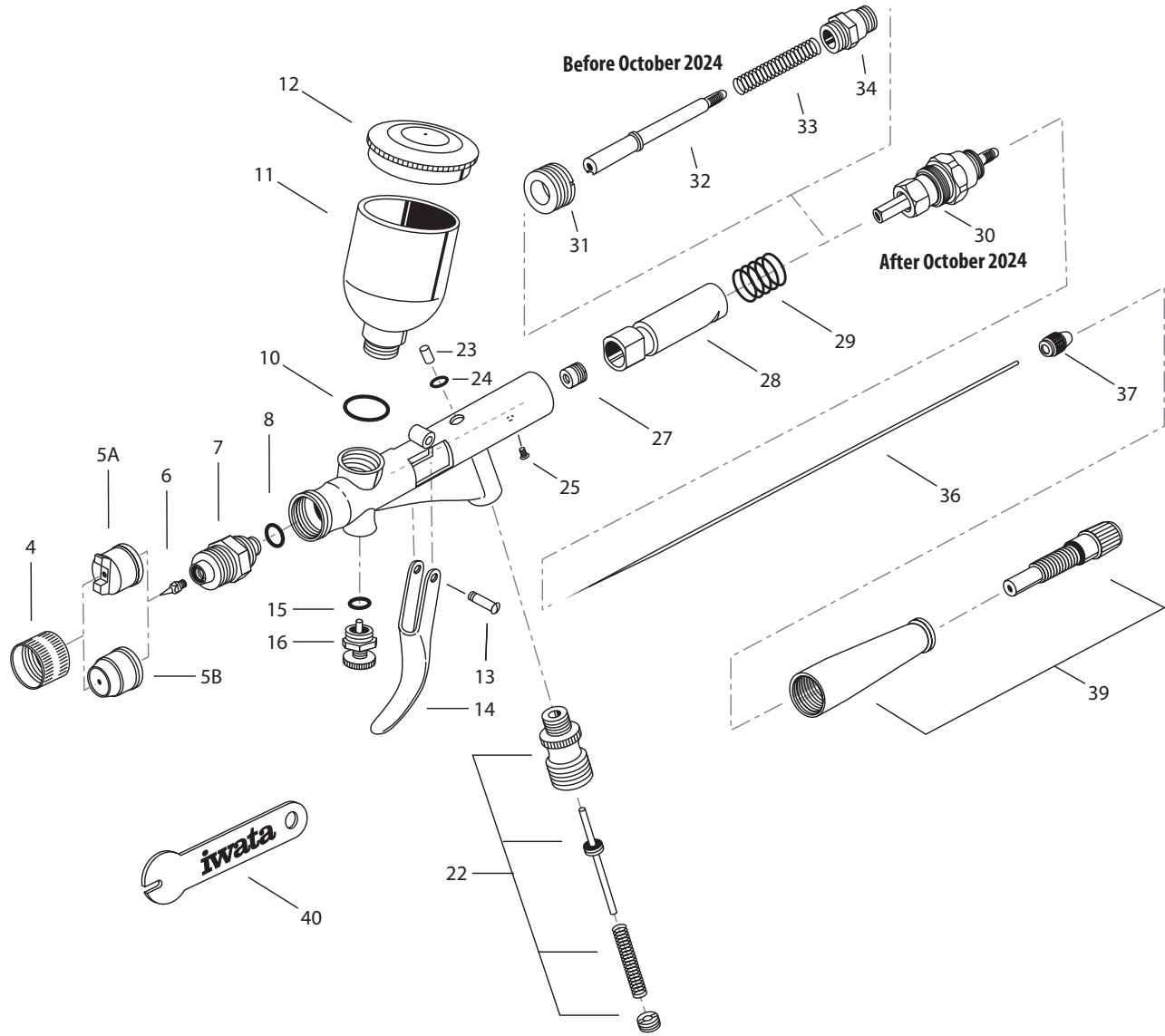
#	ITEM DESCRIPTION	PRICE CODE	ITEM #	CM-B	TAKUMI	CM-C	CM-C+
1	Head System	C1	L I5351	■	■	x	x
		C2	L I5352	x	x	■	■
1A	Head Needle Crown Cap	D	I5351D	■	■	■	■
1B	Head Nozzle Cap	C1	G I5351C	■	■	x	x
		C2	G I5352C	x	x	■	■
1C	Head Nozzle	C1	H I5351B	■	■	x	x
		C2	H I5352B	x	x	■	■
1D	Head Nozzle Base	J	I5351A	■	■	■	■
2	Head Packing	C	I5802	■	■	■	■
3A	Takumi Body*	-	-	x	■	x	x
3B	CM-C Body*	-	-	x	x	■	x
3C	CM-B Body*	-	-	■	x	x	x
3D	CM-C Plus Body*	-	-	x	x	x	■
4	Needle Packing Screw (PTFE)	D	I5902	■	■	■	■
5	Needle Chucking Guide	C	I1157	■	■	■	■
6	Spring Guide	C	I5903	■	■	■	■
7	Needle Spring	B	I5701	■	■	■	■
8	Needle Spring Adjuster	E	I5751	■	■	■	■
9	Head Needle	C1	E I5404	■	x	x	x
		C1	E I5406	x	■	x	x
		C2	E I5402	x	x	■	x
		C2	E I5403	x	x	x	■
10	Needle Chucking Nut	B	I5601	■	■	■	■
11A	Handle (Preset)	H	I5854	■	■	■	OPT
11B	Handle (Preset/Single Cut)	H	I5855	OPT	■	OPT	■
12	Handle Crown Cap Dock (Preset)	E	I5861	■	■	■	■

#	ITEM DESCRIPTION	PRICE CODE	ITEM #	CM-B	TAKUMI	CM-C	CM-C+
13	Main Lever	D	I5454	■	■	■	■
14A	Valve Piston	B	I5001	■	■	■	■
14B	Valve Piston Packing	B	I5801	■	■	■	■
15	Air Valve Set	H	I5101	■	■	■	■
15A	Air Valve Body	-	-	■	■	■	■
15B	Air Valve	-	-	■	■	■	■
15C	Air Valve Spring	-	-	■	■	■	■
15D	Air Valve Guide	-	-	■	■	■	■
16A	Cup Lid	0.24 oz / 7 ml	E I5301	x	x	■	OPT
16B	Cup Lid (Gravity)	0.24 oz / 7 ml	E I6181	x	x	OPT	■
16C	Cup Lid (Siphon Cut)	0.24 oz / 7 ml	C I6187	x	■	x	x
17	Blanking Cover	A	I0452	x	■	x	x
18	Cup Assembly	0.24 oz / 7 ml	H I0710	x	■	x	x
19	Cup Adapter (Side-Gravity)	D	I0700	x	■	x	x
20	Cup (Gravity)	0.24 oz / 7 ml	D N0702	x	■	x	x
20A	Cup (Gravity) O-ring	0.24 oz / 7 ml	A N0713	x	■	x	x
21	Handle O-Ring	A	I6051	x	■	x	■
22	MAC Valve Set	D	I1901	x	x	x	■
23	MAC Valve Packing	A	I1902	x	x	x	■
24	Pistol-Grip Filter	-	FA450	■	■	■	■
25	Spanner	B	I1651	■	■	■	■
	QuickFit Quick Disconnect Set	H	I1603	OPT	OPT	OPT	OPT
	QuickFit Quick Disconnect Airbrush Adaptor	C	I1604	OPT	OPT	OPT	OPT
	Airbrush Adapter for Paasche Air Hose	-	J001	OPT	OPT	OPT	OPT
	Airbrush Adapter for T&C/Badger Air Hoses	-	J002	OPT	OPT	OPT	OPT



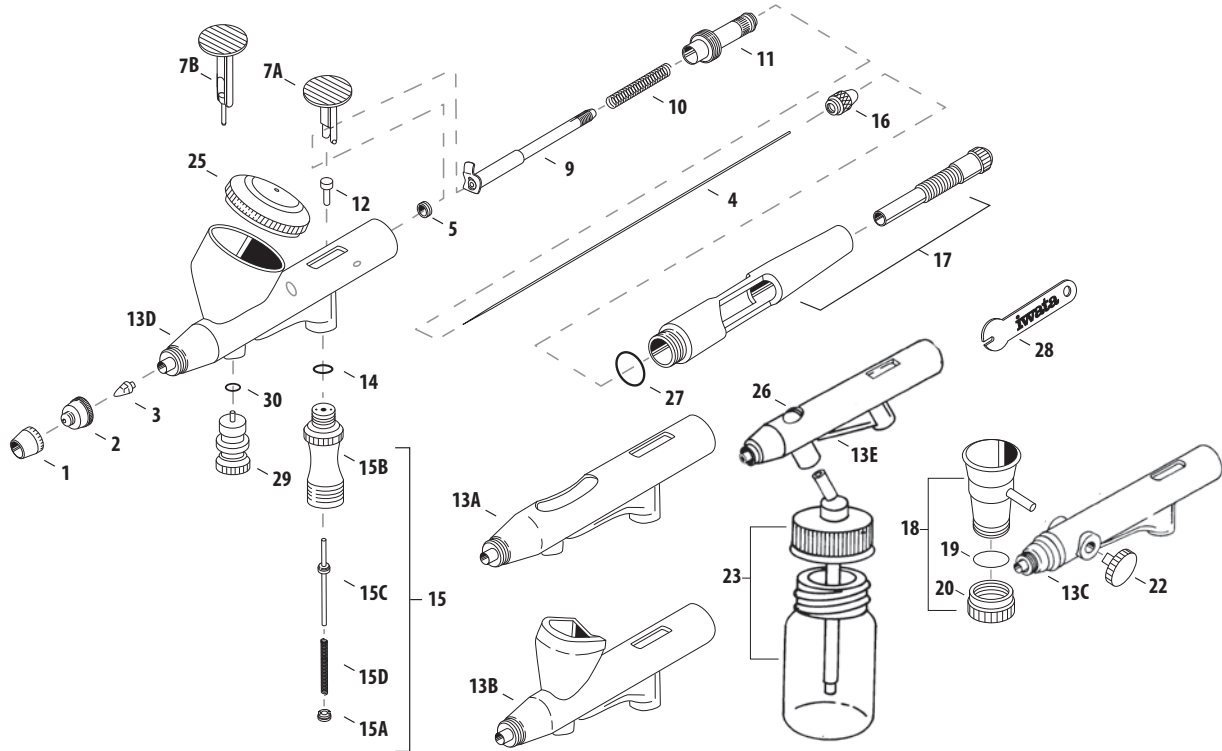
#	ITEM DESCRIPTION	PRICE CODE	ITEM #	HP-AH	HP-BH	HP-CH
1	Needle Cap	H2	B 11101	■	■	x
		H3	B 11102	x	x	■
2	Nozzle Cap	H2	D 11407	■	■	x
		H3	D 11403	x	x	■
3	Nozzle	H2	G 10807	■	■	x
		H3	G 10808	x	x	■
4	Needle	H2	C 10751	■	■	x
		H3	C 10753	x	x	■
5	Needle Packing Screw Set (PTFE)	B	B 11257	■	■	x
		B	B 17251	x	x	■
7	Main Lever	D	D 11002	■	■	■
9	Needle Chucking Guide with Auxiliary Lever	C	C 11157	■	■	x
		C	C 17151	x	x	■
10	Needle Spring	A	A 11352	■	■	x
		A	A 11351	x	x	■
11	Spring Guide	A	A 17701	■	■	■
12	Valve Piston	A	A 11751	■	■	■
13A	HP-AH Body*	-	-	■	x	x
13B	HP-BH Body*	-	-	x	■	x
13C	HP-CH Body*	-	-	x	x	■
14	Air Valve O-ring	A	A 11451	■	■	■

#	ITEM DESCRIPTION	PRICE CODE	ITEM #	HP-AH	HP-BH	HP-CH
15	Air Valve Set	G	G 10301	■	■	x
		G	G 10304	x	x	■
15A	Air Valve Guide	A	A 10251	■	■	■
15B	Air Valve Body	D	D 10201	■	■	■
15C	Air Valve	B	B 10151	■	■	x
		B	B 10153	x	x	■
15D	Air Valve Spring	A	A 10351	■	■	■
16	Needle Chucking Nut	A	A 11201	■	■	■
17	Preset Handle Set	G	G 11556	■	■	■
25	Fluid Cup Lid	C	C 16181	x	x	■
28	Handle O-Ring	A	A 16051	■	■	■
29	MAC Valve Set	D	D 11901	■	■	■
30	MAC Valve Packing	A	A 11902	■	■	■
31	Spanner	A	A 11651	■	■	■
	Needle Cap (Crown)	D	D 11050	OPT	OPT	OPT
	QuickFit Quick Disconnect Set	H	H 11603	OPT	OPT	OPT
	QuickFit Quick Disconnect Airbrush Adaptor	C	C 11604	OPT	OPT	OPT
	Airbrush Adaptor for Paasche Air Hose	-	J001	OPT	OPT	OPT
	Airbrush Adaptor for T&C/Badger Air Hoses	-	J002	OPT	OPT	OPT



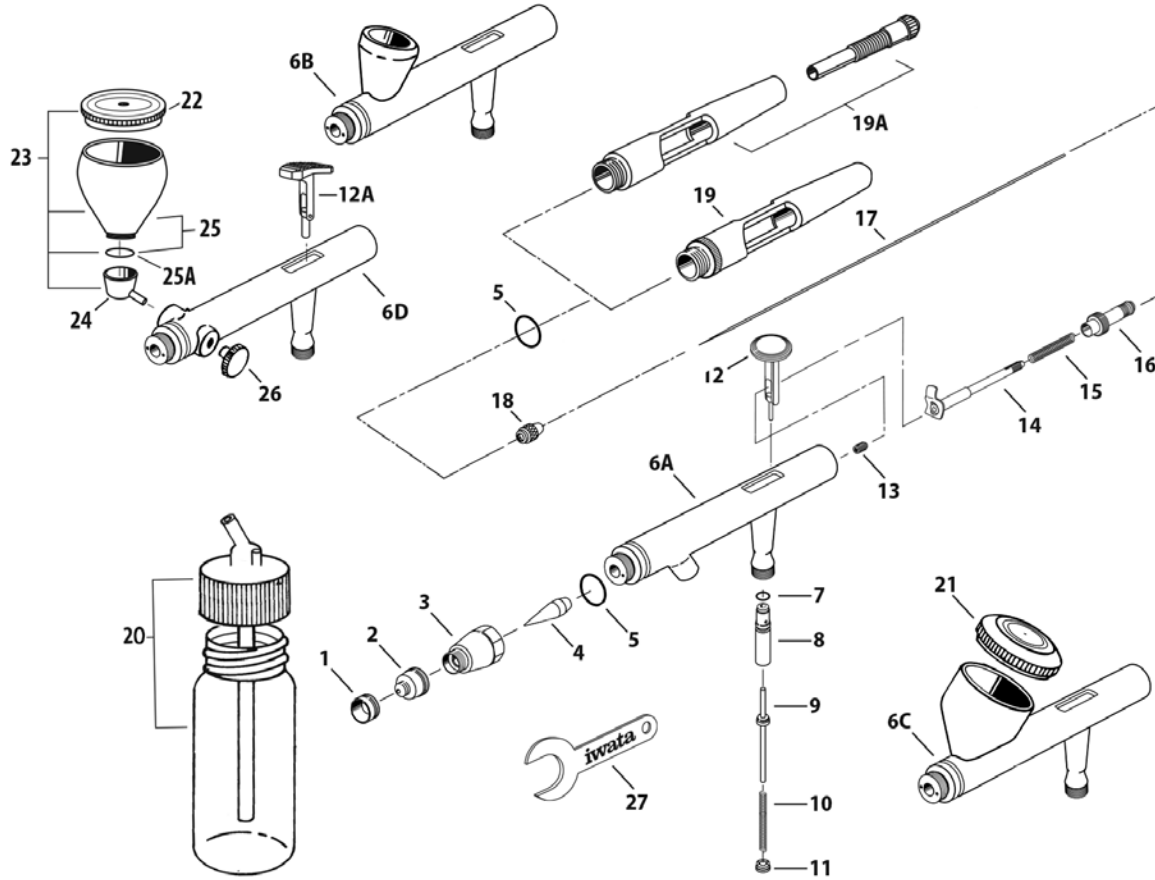
#	ITEM DESCRIPTION	PRICE CODE	ITEM #	
4	Cover Ring	C	I1107	
5A	Air Cap (Fan Pattern)	G	I1105	
5B	Air Cap (Round Pattern)	G	I1106	
6	Fluid Nozzle	H5	I0811	
7	Head Base	H	I0821	
8	Packing Head Base	A	I0831	
10	Packing Center Cup	A	I1507	
11	Center Cup	0.50 oz / 15 ml	H	I0708
12	Cup Lid	0.50 oz / 15 ml	C	I7182
	Optional Center Cup With Lid	5.0 oz / 148 ml		HPA-CB4M
13	Trigger Screw	C	I7142	
14	Trigger	I	I7141	
15	MAC Valve Packing	A	I1902	
16	MAC Valve Set	D	I1901	
22	Air Valve Set	G	I7121	

#	ITEM DESCRIPTION	PRICE CODE	ITEM #	
23	Valve Rod	C	I7132	
24	Piston O-Ring		I1259	
25	Main Body Ring Screw	C	I7312	
27	Needle Packing Set (PTFE)	D	I1258	
28	Slide Cam	I	I7301	
29	Slide Cam Spring	B	I7302	
30	Needle Chucking Assembly	F	I7150	
31	Main Body Ring*		---	
32	Needle Chucking Guide*		---	
33	Spring*		---	
34	Spring Guide*		---	
36	Fluid Needle	H5	C	I0757
37	Needle Chucking Nut	A	I1202	
39	Preset Handle	G	I1559	
40	Spanner	A	I1651	



#	ITEM DESCRIPTION	PRICE CODE	ITEM #	HP-A+	HP-B+	HP-SB+	HP-C+	HP-BC+
1	Needle Cap	H2	B 11101	■	■	■	x	x
		H3	B 11102	x	x	x	■	■
2	Nozzle Cap	H2	D 11401	■	■	■	x	x
		H3	D 11403	x	x	x	■	■
3	Nozzle	H2	G 10807	■	■	■	x	x
		H3	G 10808	x	x	x	■	■
4	Needle	H2	C 10751	■	■	■	x	x
		H3	C 10753	x	x	x	■	■
5	Needle Packing Screw Set (PTFE)	B	11257	■	■	■	x	x
		B	17251	x	x	x	■	■
7A	Main Lever	D	11001	■	■	■	x	x
		D	11002	x	x	x	■	x
7B	Main Lever	G	11003	x	x	x	x	■
9	Needle Chucking Guide with Auxiliary Lever	C	11157	■	■	■	x	x
		C	17151	x	x	x	■	■
10	Needle Spring	A	11352	■	■	■	x	x
		A	11353	x	x	x	■	■
11	Spring Guide	C	11706	■	■	■	x	x
		A	17701	x	x	x	■	■
12	Valve Piston	A	11751	■	■	■	■	x
13A	HP-A Plus Body*	-	-	■	x	x	x	x
13B	HP-B Plus Body*	-	-	x	■	x	x	x
13C	HP-SB Plus Body*	-	-	x	x	■	x	x
13D	HP-C Plus Body*	-	-	x	x	x	■	x
13E	HP-BC Plus Body*	-	-	x	x	x	x	■
14	Air Valve O-ring	A	11451	■	■	■	■	■

#	ITEM DESCRIPTION	PRICE CODE	ITEM #	HP-A+	HP-B+	HP-SB+	HP-C+	HP-BC+
15	Air Valve Set	G	I0301	■	■	■	x	x
		G	I0304	x	x	x	■	■
15A	Air Valve Guide	A	I0251	■	■	■	■	■
15B	Air Valve Body	D	I0201	■	■	■	■	■
15C	Air Valve	B	I0151	■	■	■	x	x
		B	I0153	x	x	x	■	■
15D	Air Valve Spring	A	I0351	■	■	■	■	■
16	Needle Chucking Nut	A	I1201	■	■	■	■	■
17	Preset Handle Set	G	I1555	■	■	■	x	x
		G	I1556	x	x	x	■	■
18	Cup (Side) 0.05 oz / 1.50 ml	G	I0703	x	x	■	x	x
19	Cup Packing Lower Lid	A	I1505	x	x	■	x	x
20	Cup Lower Lid 0.05 oz / 1.50 ml	B	I0957	x	x	■	x	x
22	Blanking Cover	A	I0452	x	x	■	x	x
23	Glass Bottle Set 0.75 oz / 20 ml	G	I4052	x	x	x	x	■
25	Fluid Cup Lid	C	I6181	x	x	x	■	x
26	Blanking Screw	B	I0451	x	x	x	x	■
27	Packing Handle (O-ring)	A	I6051	■	■	■	■	■
28	Spanner	A	I1651	■	■	■	■	■
	Needle Cap (Crown)	D	I1050	OPT	OPT	OPT	OPT	OPT
	QuickFit Quick Disconnect Set	H	I1603	OPT	OPT	OPT	OPT	OPT
	QuickFit Quick Disconnect Airbrush Adaptor	C	I1604	OPT	OPT	OPT	OPT	OPT
	Airbrush Adapter for Paasche Air Hose	-	J001	OPT	OPT	OPT	OPT	OPT
	Airbrush Adapter for T&C/Badger Air Hoses	-	J002	OPT	OPT	OPT	OPT	OPT

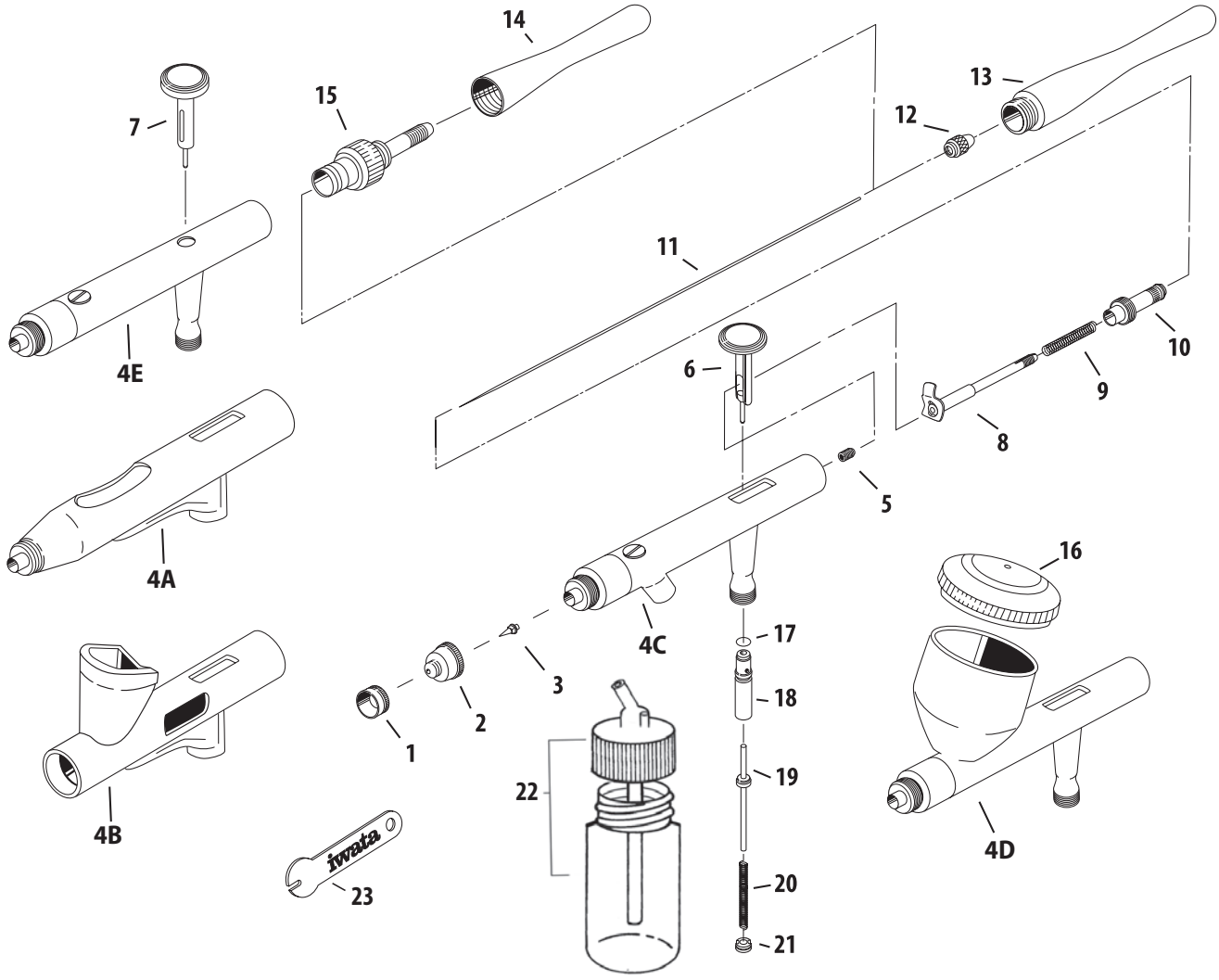


#	ITEM DESCRIPTION	PRICE CODE	ITEM #	HP-BCS	HP-BS	HP-CS	TAKUMI
1	Needle Cap	A	I6011	■	■	■	OPT
1A	Needle Cap (Crown)	D	I1050	OPT	OPT	OPT	■
2	Nozzle Cap	E5	B I6021	■	x	x	x
		E3	C I6022	x	■	■	■
3	Head Cap	C	I6031	■	■	■	■
4	Nozzle	E5	C I6041	■	x	x	x
		E3	E I6042	x	■	■	■
5	O-ring	A	I6051	■	■	■	■
6A	HP-BSC Body *	-	-	■	x	x	x
6B	HP-BS Body *	-	-	x	■	x	x
6C	HP-CS Body *	-	-	x	x	■	x
6D	Takumi Body *	-	-	x	x	x	■
7	Valve Piston Packing	B	I5801	■	■	■	■
8	Air Valve Guide Body	B	I6081	■	■	■	■
9	Air Valve	A	I6091	■	■	■	■
10	Air Valve Spring	A	I5104	■	■	■	■
11	Air Valve Guide Screw	A	I6111	■	■	■	■
12	Main Lever	C	I6121	■	■	■	■
12A	Main Lever (Control)	D	I6124	OPT	OPT	OPT	■
13	Needle Packing Screw Set (PTFE)	A	I7251	■	■	■	■
14	Needle Chucking Guide	C	I7151	■	■	■	■
15	Needle Spring	A	I1352	■	x	x	x
		A	I1351	x	■	■	■

#	ITEM DESCRIPTION	PRICE CODE	ITEM #	HP-BCS	HP-BS	HP-CS	TAKUMI
16	Spring Guide	C	I7701	■	■	■	■
17	Needle	E5	B I6171	■	x	x	x
		E3	B I6172	x	■	■	x
		E3	B I6176	x	x	x	■
18	Needle Chucking Nut	A	I1202	■	■	■	■
19	Single Cut Handle	D	I6191	■	■	■	■
	Preset Handle	G	I1552	OPT	OPT	OPT	OPT
19A	Handle (Preset/Single Cut)	G	I1556	OPT	OPT	OPT	■
20	Bottle 2 oz / 60 ml	-	A4702	■	x	x	x
21	Lid	C	I6181	x	x	■	x
22	Cup Lid (Siphon Cut) 0.24 oz / 7 ml	C	I6187	x	x	x	■
23	Cup Assembly 0.24 oz / 7 ml	H	I0710	x	x	x	■
24	Cup Adapter (Side-Gravity)	D	I0700	x	x	x	■
25	Cup (Gravity) 0.24 oz / 7 ml	D	N0702	x	x	x	■
25A	Cup (Gravity) O-ring 0.24 oz / 7 ml	A	N0713	x	x	x	■
26	Blanking Cover	A	I0452	x	x	x	■
	QuickFit Quick Disconnect Set	H	I1603	OPT	OPT	OPT	OPT
	QuickFit Quick Disconnect Airbrush Adaptor	C	I1604	OPT	OPT	OPT	OPT
	Airbrush Adapter for Paasche Air Hose	-	J001	OPT	OPT	OPT	OPT
	Airbrush Adapter for T&C/Badger Air Hoses	-	J002	OPT	OPT	OPT	OPT
27	Spanner Head Cap Wrench	A	I6301	■	■	■	■

**EFFORTLESS
COVERAGE™**
手順で手軽

IWATA REVOLUTION AIRBRUSH SERIES
HP-AR / HP-BR / HP-BCR / HP-CR / HP-CR3 / HP-SAR



#	ITEM DESCRIPTION	PRICE CODE	ITEM #	HP-AR	HP-BR	HP-BCR	HP-CR	HP-CR3	HP-SAR
1	Needle Cap	R3	A 17012	■	■	x	x	■	x
		R5	A 17011	x	x	■	■	x	■
2	Nozzle Cap	R3	C 17022	■	■	x	x	■	x
		R5	C 17021	x	x	■	■	x	■
3	Nozzle	R3	E 17042	■	■	x	x	■	x
		R5	E 17041	x	x	■	■	x	■
4A	HP-AR Body*	-	-	■	x	x	x	x	x
4B	HP-BR Body*	-	-	x	■	x	x	x	x
4C	HP-BCR Body*	-	-	x	x	■	x	x	x
4D	HP-CR / HP-CR3 Body*	-	-	x	x	x	■	■	x
4E	HP-SAR Body*	-	-	x	x	x	x	x	■
5	Needle Packing Screw Set (PTFE)	R3	B 11257	■	■	x	x	■	x
		R5	B 17251	x	x	■	■	x	■
6	Main Lever	C	16121	■	■	■	■	■	x
7	Main Lever	C	16122	x	x	x	x	x	■
8	Needle Chucking Guide w/Aux Lever	C	11157	■	■	x	x	■	x
		C	17151			■	■	x	x

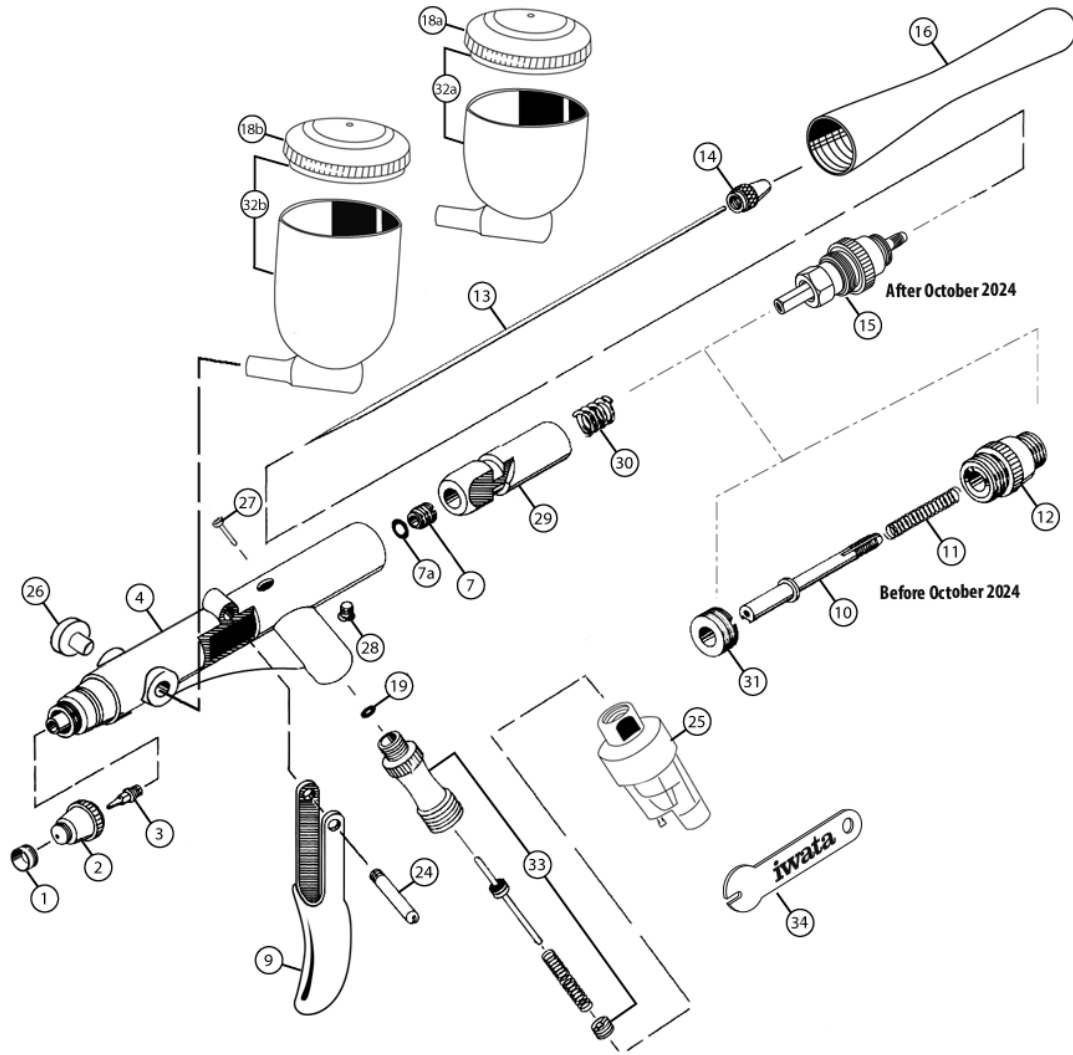
#	ITEM DESCRIPTION	PRICE CODE	ITEM #	HP-AR	HP-BR	HP-BCR	HP-CR	HP-CR3	HP-SAR
9	Needle Spring	A	11351	■	■	■	■	■	x
10	Spring Guide	A	17701	■	■	■	■	■	x
11	Needle	R5	B 16171	x	x	■	■	x	■
		R3	B 10751	■	■	x	x	■	x
12	Needle Chucking Nut	A	11202	■	■	■	■	■	■
	Ergonomic Handle	D	17191	■	■	■	■	■	x
13	Preset Handle	D	11552	OPT	OPT	OPT	OPT	OPT	x
	Preset Cutaway Handle	G	11556	OPT	OPT	OPT	OPT	OPT	x
14	Ergonomic Handle		17192	x	x	x	x	x	■
15	Fluid Adjustment Knob	D	17221	x	x	x	x	x	■
16	Lid	C	16181	x	x	x	■	■	x
17	Air Valve O-ring	B	15801	■	■	■	■	■	■
18	Valve Guide Body	B	16081	■	■	■	■	■	■
19	Air Valve	A	16091	■	■	■	■	■	■
20	Air Valve Spring	A	10351	■	■	■	■	■	■
21	Air Valve Guide Screw	B	16111	■	■	■	■	■	■
22	Bottle 1 oz / 30 ml	-	A4701	x	x	■	x	x	■
23	Spanner	A	11651	■	■	■	■	■	■

■ = yes X = no OPT = optional
*Replacement parts not available.

**EFFORTLESS
COVERAGE™**
手頃で手軽

IWATA REVOLUTION AIRBRUSH SERIES

HP-TR1 / HP-TR2



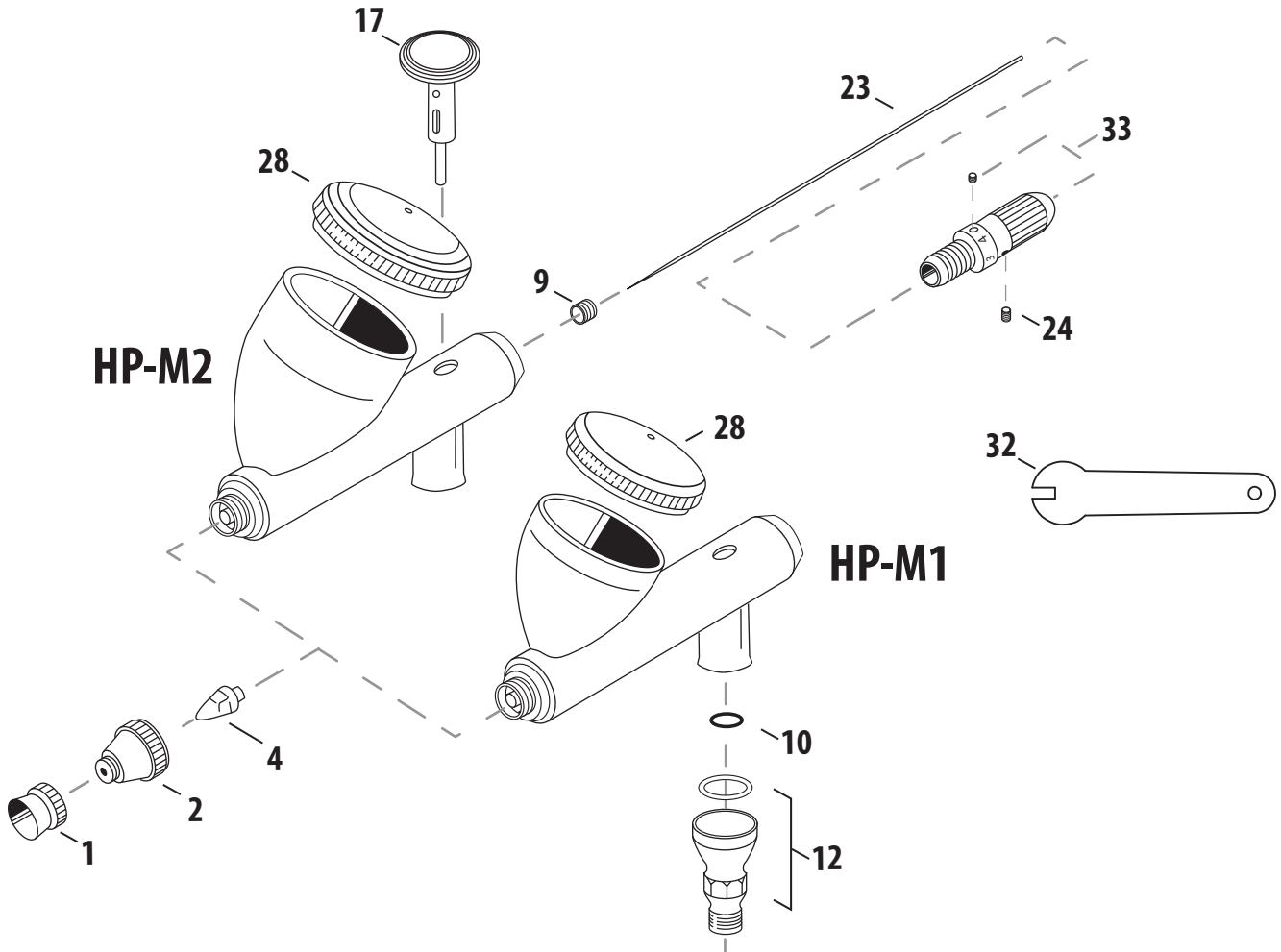
#	ITEM DESCRIPTION	PRICE CODE	ITEM #	HP-TR1	HP-TR2
1	Needle Cap	A	I7011	■	■
2	Nozzle Cap	R3	C I7022	■	x
		R5	C I7021	x	■
3	Nozzle	R3	C I7042	■	x
		R5	C I7041	x	■
4	Body*	-	-	■	■
7	Needle Packing Screw	C	I7252	■	■
8	Needle Packing (PTFE)	A	I1502	■	■
9	Trigger	I	I7141	■	■
10	Needle Chucking Guide*	-	-	■	■
11	Needle Spring*	-	-	■	■
12	Spring Guide*	-	-	■	■
13	Needle	R3	C I7174	■	x
		R5	C I7175	x	■
14	Needle Chucking Nut	A	I1202	■	■
15	Needle Chucking Assembly	F	I7250	■	■

#	ITEM DESCRIPTION	PRICE CODE	ITEM #	HP-TR1	HP-TR2
16	Handle	D	I7192	■	■
18a	Cup Lid	C	I6181	■	OPT
18b	Cup Lid	F	I7182	OPT	■
19	Air Valve O-ring	A	I1451	■	■
24	Trigger Screw	C	I7142	■	■
25	Pistol-Grip Filter	F	FA450	■	■
26	Blanking Cover	A	I0452	■	■
27	Valve Piston	C	I7131	■	■
28	Main Body Ring Screw	A	I7312	■	■
29	Slide Cam	I	I7301	■	■
30	Slide Cam Spring	B	I7302	■	■
31	Main Body Ring*	-	-	■	■
32a	Gravity Side Cup	1/3 oz	G I7201	■	OPT
32b	Gravity Side Cup	1/2 oz	G I0706	OPT	■
33	Air Valve Set	G	I7121	■	■
7	Spanner	A	I1651	■	■

■ = yes X = no OPT = optional
*Replacement parts not available.

**EFFORTLESS
COVERAGE™**
手順で手軽

IWATA REVOLUTION AIRBRUSH SERIES
M SERIES HP-M1 / HP-M2



#	ITEM DESCRIPTION		PRICE CODE	ITEM #	HP-M1	HP-M2
1	Needle Cap	0.3	A	I7014	■	x
		0.4	A	I7015	x	■
2	Nozzle Cap	0.3	C	I7024	■	x
		0.4	C	I7025	x	■
4	Nozzle	0.3	E	I7044	■	x
		0.4	E	I7045	■	x
9	Needle Packing Screw Set(PTFE)		B	I7251	■	■
10	Air Valve O-ring		A	I1451	■	■
12	Air Valve Set		F	I7122	■	■

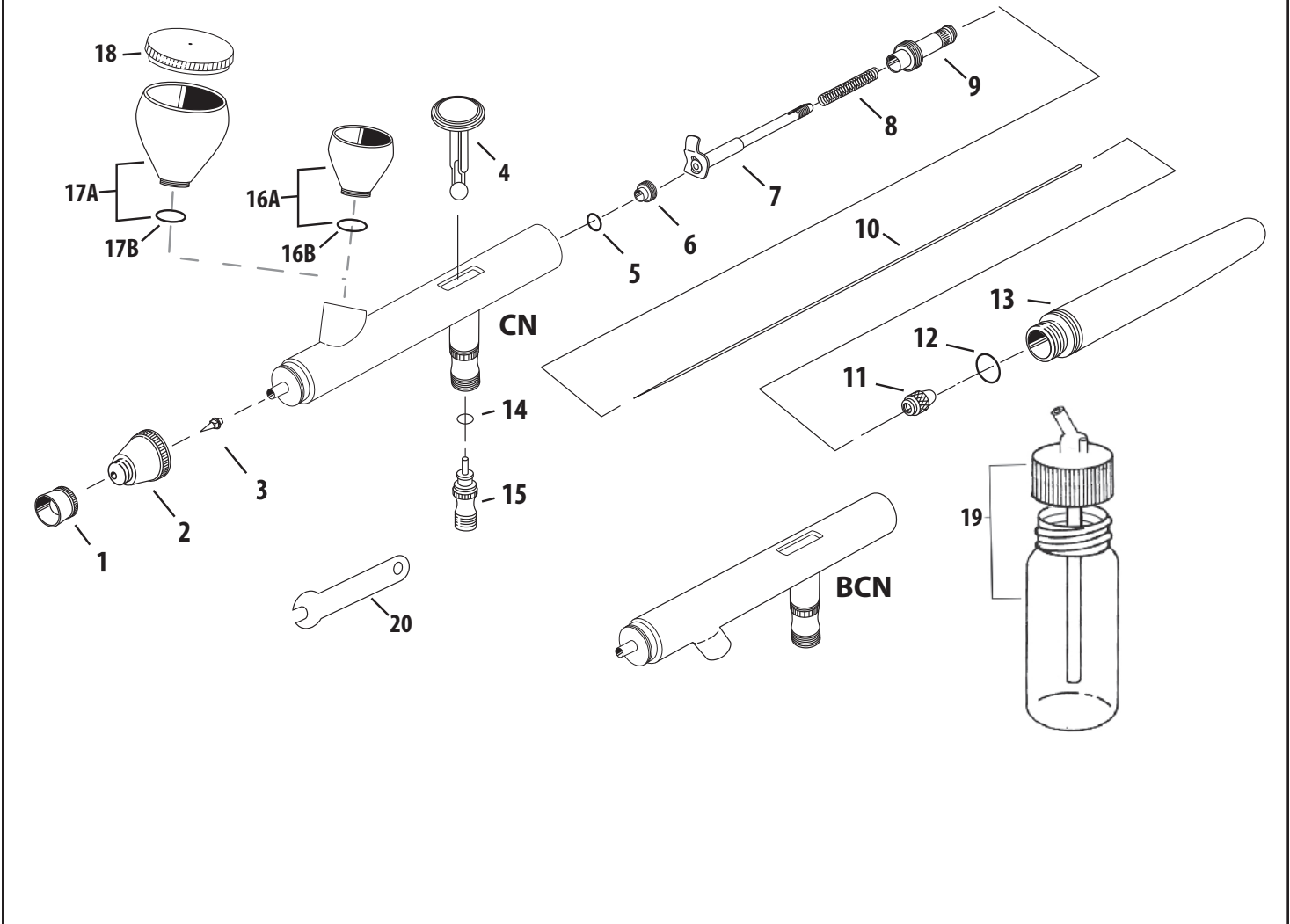
#	ITEM DESCRIPTION		PRICE CODE	ITEM #	HP-M1	HP-M2
17	Main Lever		C	I7143	■	■
23	Needle	0.3	E	I7176	■	x
		0.4	E	I7177	x	■
24	Needle Chucking nut		A	I7153	■	■
28	Lid		C	I7183	■	x
			C	I6181	x	■
33	Fluid Adjustmet Valve		F	I7222	■	■
32	Spanner		A	I1651	■	■

■ = yes X = no OPT = optional
*Replacement parts not available.

**EFFORTLESS
COVERAGE™**
手順で手軽

NEO FOR IWATA AIRBRUSH SERIES

BCN / CN

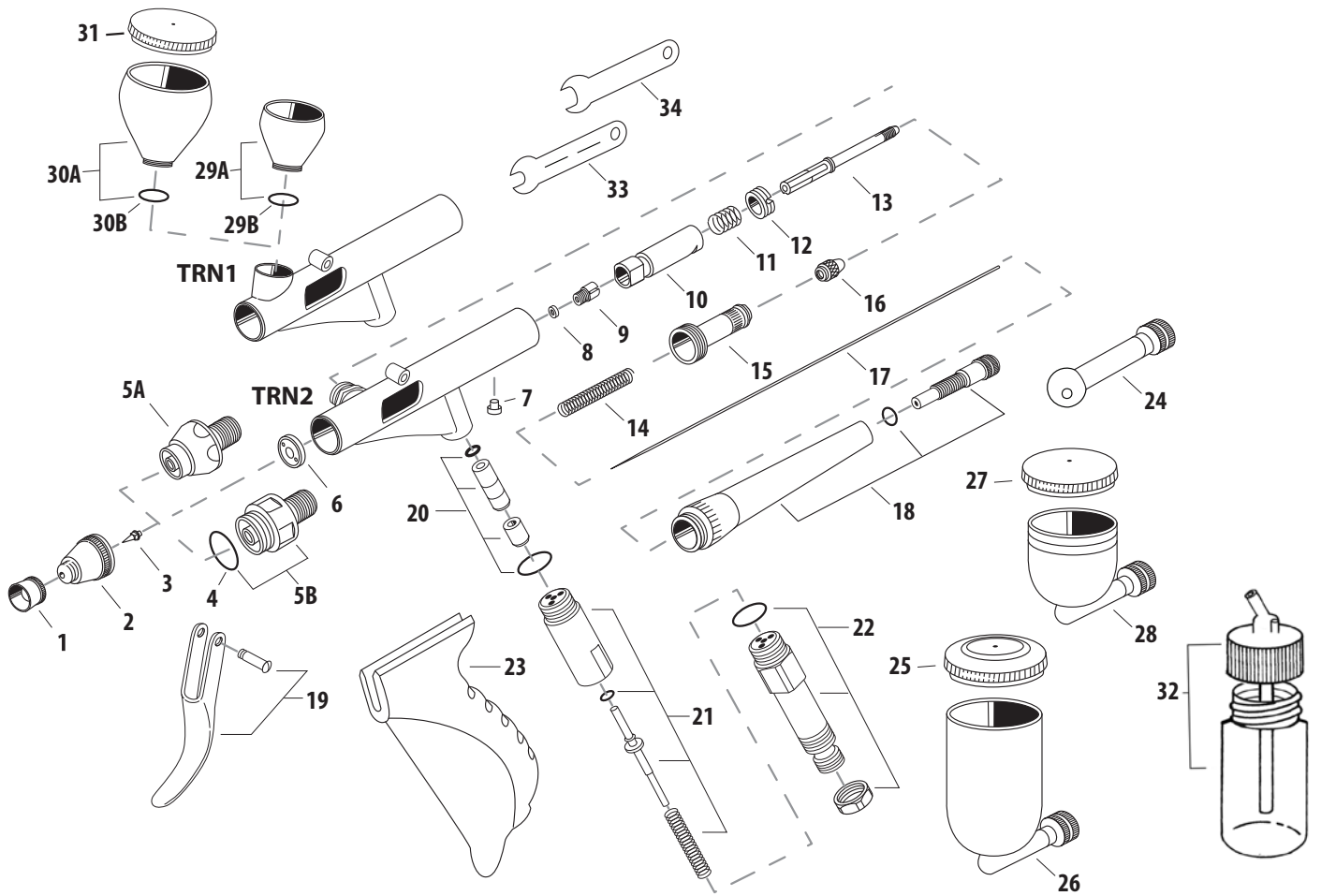


#	ITEM DESCRIPTION	PRICE CODE	ITEM #	BCN	CN
1	Needle Cap	A	N1101	■	■
2	Nozzle Cap	A	N3	x	■
			N5	■	x
3	Nozzle	C	N3	x	■
			N5	■	x
4	Main Lever	A	N1001	■	■
5	Needle Packing (PTFE)	A	N1501	■	■
6	Needle Packing Screw	A	N1251	■	■
7	Needle Chucking Guide	A	N1151	■	■
8	Needle Spring	A	N1351	■	■
9	Spring Guide	A	N1701	■	■
10	Needle	A	N3	x	■
			N5	■	x

#	ITEM DESCRIPTION	PRICE CODE	ITEM #	BCN	CN
11	Needle Chucking Nut	A	N1201	■	■
12	Handle O-ring	A	N1051	■	■
13	Handle	C	N0901	■	■
14	Air Valve O-ring	A	N1502	■	■
15	Valve Set With Valve Spring	A	N 0201	■	■
16A	Cup (Gravity)	D	N0701	x	■
16B	Cup (Gravity) O-ring	A	N0712	x	■
17A	Cup (Gravity)	C	N0702	x	■
17B	Cup (Gravity) O-ring	A	N0713	x	■
18	Cup (Gravity) Lid	A	N0954	x	■
19	Bottle	-	A4702	■	x
20	Spanner	A	N1651	■	■

■ = yes X = no OPT = optional
*Replacement parts not available.

NEO FOR IWATA — TRN1, TRN2



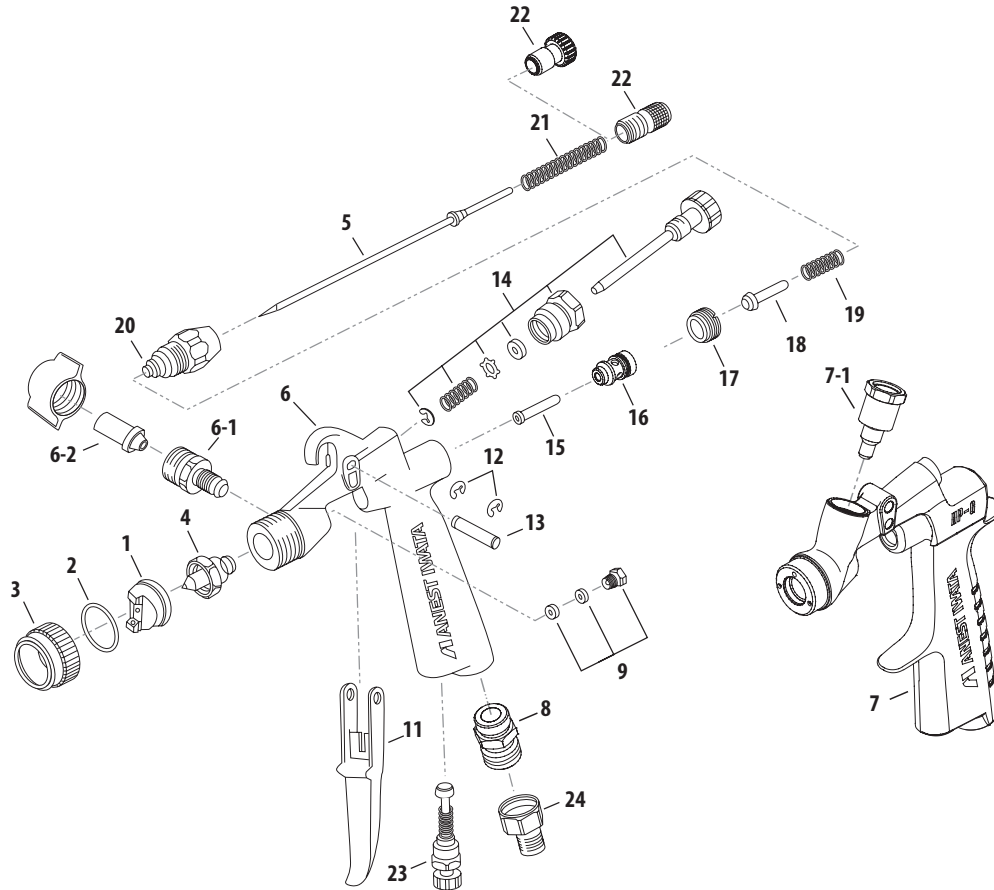
#	ITEM DESCRIPTION	PRICE CODE	ITEM #	TRN2 N 5000	TRN1 N 5500	ALSO FITS
1	Needle Cap	A	N 110 2	■	■	
2	Nozzle Cap	A	N 140 3	x	■	
	N3	A	N 140 4	■	x	
	N5	A	N 140 4	■	x	
3	Nozzle	C	N 080 3	x	■	
	N3	C	N 080 4	■	x	
	N5	C	N 080 4	■	x	
4	Nozzle Cap O-ring	A	N 150 4	■	x	
5A	Head Base	A	N 135 3	x	■	
5B	Head Base	A	N 135 4	■	x	
6	Head Base Packing (PTFE)	A	N 150 5	■	■	
7	Main Body Ring Screw	A	N 131 2	■	■	
8	Needle Packing (PTFE)	A	N 150 7	■	■	
9	Needle Packing Screw	A	N 125 2	■	■	
10	Slide Cam	A	N 130 1	■	■	
11	Spring Side Cam	A	N 130 2	■	■	
12	Main Body Ring	A	N 131 1	■	■	
13	Needle Chucking Guide	A	N 115 2	■	■	
14	Needle Spring	A	N 135 2	■	■	
15	Spring Guide	A	N 170 2	■	■	
16	Needle Chucking Nut	A	N 120 2	■	■	

#	ITEM DESCRIPTION	PRICE CODE	ITEM #	TRN2 N 5000	TRN1 N 5500	ALSO FITS
17	Needle	A	N 075 3	x	■	
	N3	A	N 075 4	■	x	
	N5	A	N 075 4	■	x	
18	Handle Cap Set	D	N 090 2	■	■	
19	Trigger With Trigger Screw	A	N 100 2	■	■	
20	Air Piston Set	A	N 010 1	■	■	
21	Air Valve Set	C	N 020 2	■	■	
22	Grip Mount/Extension	D	N 160 1	■	■	
23	Grip	B	N 160 2	■	■	
24	Bottle Adapter	C	N 040 1	■	x	
25	Side Cup Lid	A	N 095 2	■	x	
26	Side Cup	A	N 070 6	■	x	
27	Side Cup Lid	A	N 095 3	■	x	
28	Side Cup	D	N 070 5	■	x	
29A	Fluid Gravity Cup w/O-ring	C	N 070 1	x	■	NEO CN
29B	O-ring For Fluid Gravity Cup	A	N 071 2	x	■	NEO CN
30A	Fluid Gravity Cup w/O-ring	D	N 070 2	x	■	NEO CN
30B	O-ring For Fluid Gravity Cup	A	N 071 3	x	■	NEO CN
31	Fluid Gravity Cup Lid	A	N 095 4	x	■	NEO CN
32	Bottle 1 oz / 30 ml					
33	Spanner	A	N 165 1	x	■	
34	Spanner	A	N 165 2	■	x	

■ = yes X = no OPT = optional
 *Replacement parts not available.

FULL FINISH™
本格塗装

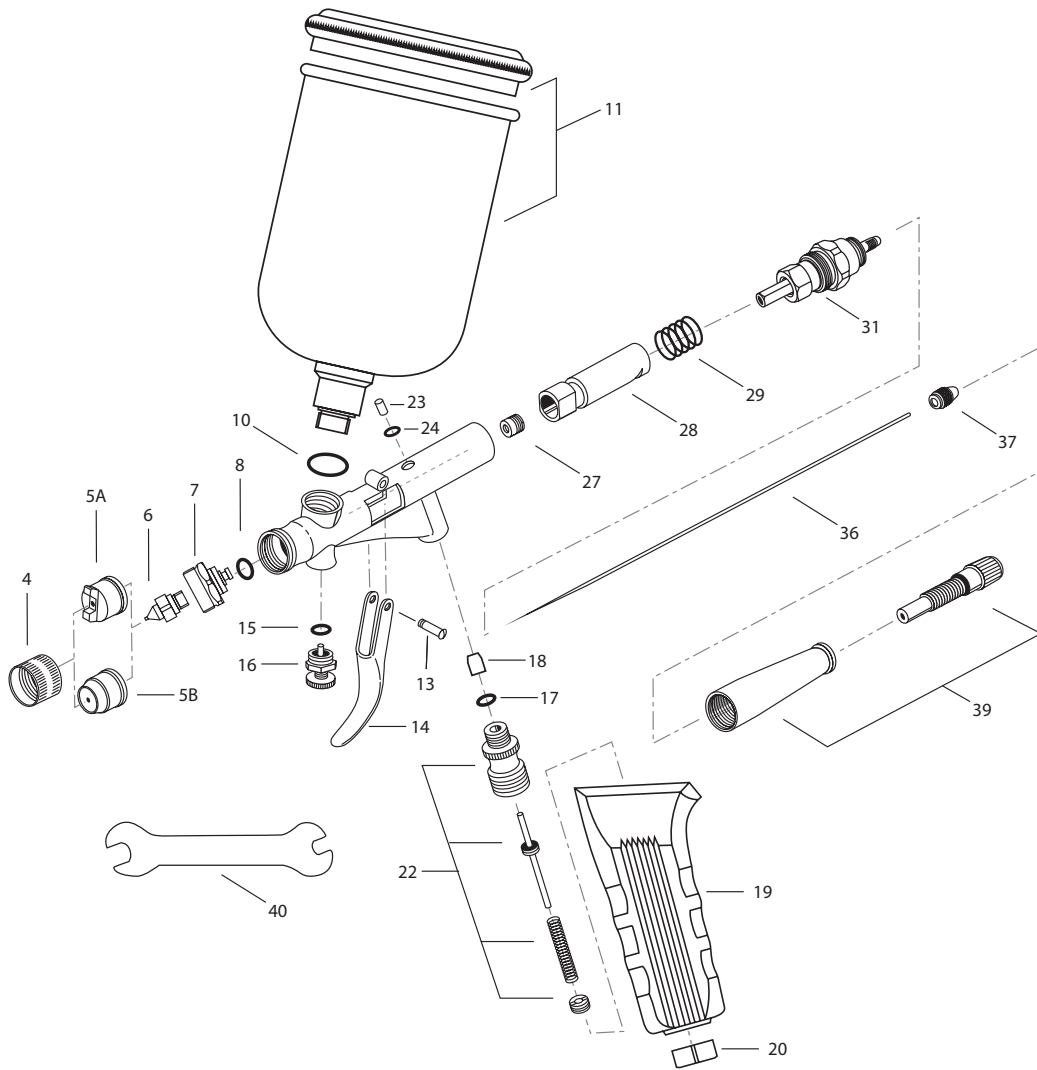
IWATA G-SERIES
G3 / G5 / G6



#	ITEM DESCRIPTION	PRICE CODE	ITEM #	G3	G5	G6
1	Air Cap	G6	H 16001	x	x	■
		G3	J 16004	■	x	x
		G5	J 16005	x	■	x
2	Air Cap Packing	A	16002	■	■	■
3	Air Cap Cover Ring	C	16003	■	■	■
4	Fluid Head Nozzle	G6	I 16044	x	x	■
		G3	I 16045	■	x	x
		G5	I 16046	x	■	x
5	Fluid Needle	G6	F 16174	x	x	■
	Duplex Needle	G3/G5	16175	■	■	x
6	Airbrush Body Set (G6)	O	13071	x	x	■
6-1	Fluid Cup Joint	D	12122	x	x	■
6-2	Bottle Joint Adapter	F	16231	x	x	■
7	Airbrush Body Set (G3/G5)	O	13072	■	■	x
7-1	Fluid Nipple	D	16501	■	■	x
8	Air Nipple	B	16801	■	■	■
9	Needle Packing Set	D	12152	■	■	■
11	Trigger	C	12331	■	■	■
12	E Stopper 2 pcs/pk	A	13321	■	■	■
13	Trigger Stud	A	12341	■	■	■
14	Pattern Adjustment Set	G3/G5	H 16252	■	■	x
		G6	G 16251	x	x	■

#	ITEM DESCRIPTION	PRICE CODE	ITEM #	G3	G5	G6	
15	Air Valve Shaft	C	12023	■	■	■	
16	Air Valve Seat Set	F	12052	■	■	■	
17	Air Valve Seat Screw	A	12053	■	■	■	
18	Air Valve	C	12022	■	■	■	
19	Air Valve Spring	A	12062	■	■	■	
20	Fluid Adjustment Guide Set	F	12082	■	■	■	
21	Needle Spring	B	12252	■	■	■	
22	Fluid Adjusting Knob	G6	C 12091	x	x	■	
		G3/G5	16701	■	■	x	
23	Air Adjusting Set		16262	■	■	■	
24	Air Hose Adapter (1/4"-1/8")	D	16241	■	■	■	
	3 oz Jar With G6 Bottle Set		I4803G6	x	x	■	
	Fluid Cup With Lid		4.4 oz / 130 ml	I210G3	■	OPT	x
			7.5 oz / 220 ml	I210G5	OPT	■	x
	Fluid Cup		150 ml (PC 61)	I2101	x	x	OPT
			220 ml (PC 51)	I2102	x	x	OPT
			250 ml (PC 5)	I2103	x	x	OPT
	Fluid Cup Lid		150 ml (PC 61)	I2111	x	x	OPT
			220 ml (PC 51)	I2112	x	x	OPT
			250 ml (PC 5)	I2113	x	x	OPT

■ = yes X = no OPT = optional
*Replacement parts not available.

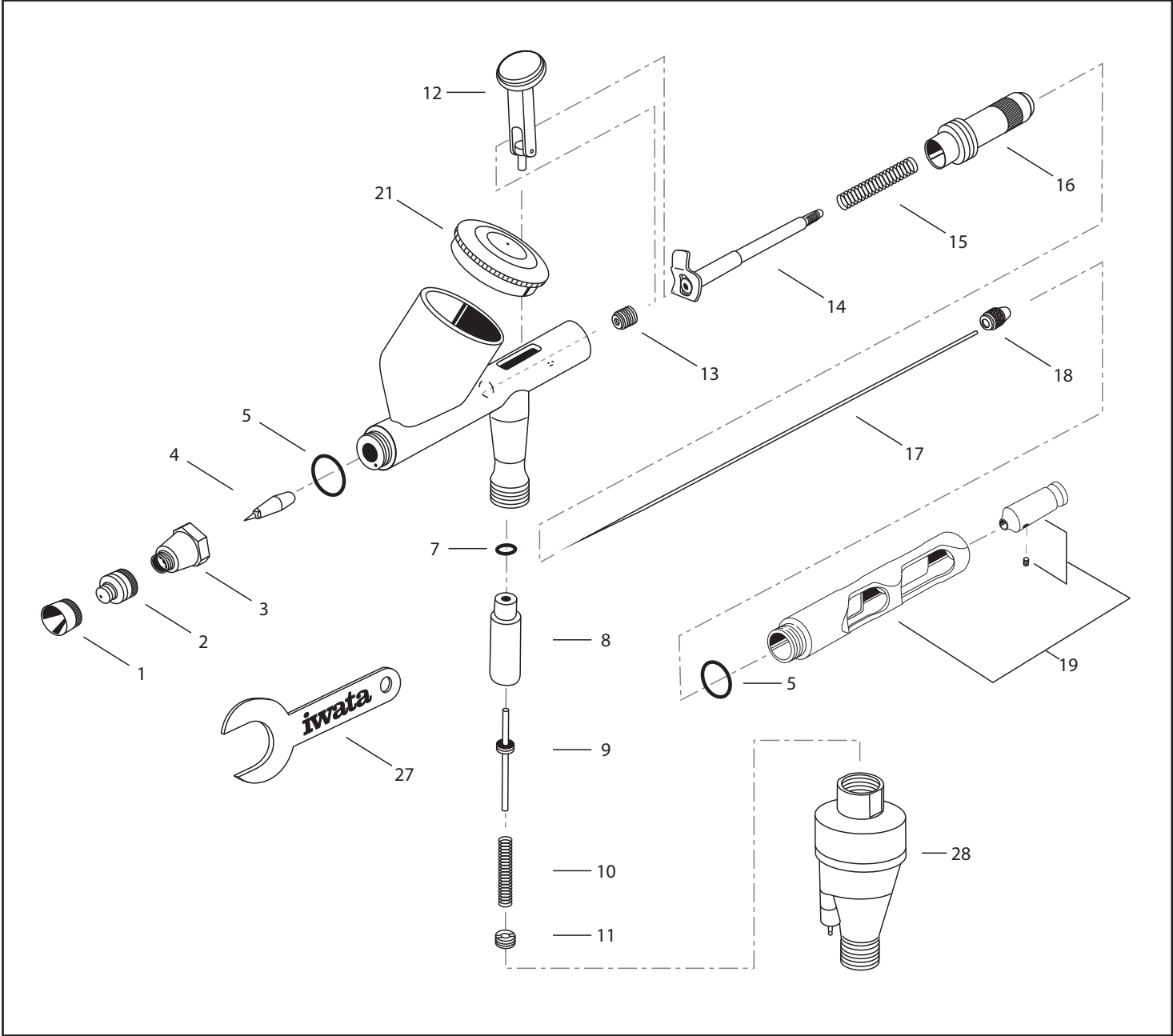


#	ITEM DESCRIPTION	PRICE CODE	ITEM #
4	Cover Ring	C	I1110
5A	Air Cap (Fan Pattern)	G	I1109
5B	Air Cap (Round Pattern)	G	I1108
6	Fluid Nozzle H6	G	I0812
7	Head Base	H	I0822
8	Packing Head Base	A	I0831
10	Packing Center Cup	A	I1507
11	Center Cup With Lid 5.0 oz / 148 ml		HPA-CB4M
	Optional Center Cup 0.50 oz / 15 ml	H	I0708
	Optional Cup Lid 0.50 oz / 15 ml	C	I7182
13	Trigger Screw	C	I7142
14	Trigger	I	I7141
15	MAC Valve Packing	A	I1902
16	MAC Valve Set	D	I1901
17	Joint O-ring	A	I6051

#	ITEM DESCRIPTION	PRICE CODE	ITEM #
18	Joint Sleeve		I2735
19	Grip Handle		I2731
20	Grip Nut		I3701
22	Air Valve Set	G	I7123
23	Valve Rod	C	I7132
24	Piston O-Ring		I1259
27	Needle Packing Set (PTFE)	D	I1258
28	Slide Cam	I	I7301
29	Slide Cam Spring	B	I7302
31	Needle Chucking Assembly	F	I7150
36	Fluid Needle H6	C	I0758
37	Needle Chucking Nut	A	I1202
39	Preset Handle	G	I1559
40	Spanner	A	I1653



IWATA VAULT KUSTOM CS

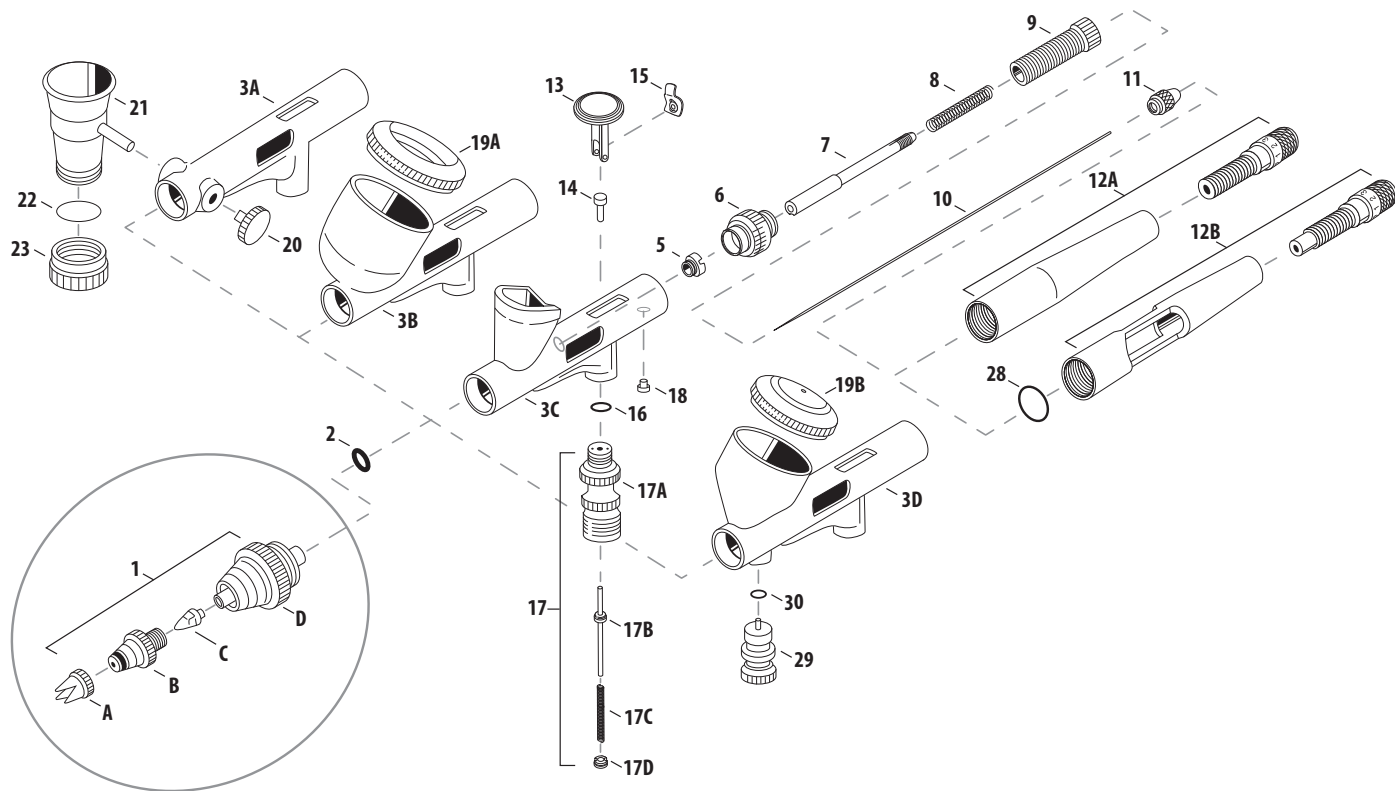


#	ITEM DESCRIPTION	PRICE CODE	ITEM #
1	Needle Cap	A	I6011
2	Nozzle Cap E3	C	I6022
3	Head Cap	C	I6031
4	Nozzle E3	E	I6042
5	O-Ring	A	I6051
7	Valve Piston Packing	B	I5801
8	Air Valve Guide Body	B	I6081
9	Air Valve	A	I6091
10	Air Valve Spring	A	I5104
11	Air Valve Guide Screw	A	I6111
12	Elevated Main Lever	D	I5453

#	ITEM DESCRIPTION	PRICE CODE	ITEM #
13	Needle Packing Screw Set (PTFE)	A	I7251
14	Needle Chucking Guide	C	I7151
15	Needle Spring	A	I1351
16	Spring Guide	C	I7701
17	Needle E3	B	I6172
18	Needle Chucking Nut	A	I1202
19	Rapid Access Handle/Needle Grip Set	-	I1565
21	Cup Lid	C	I6181
27	Spanner Head Cap Wrench	A	I6301
28	Pistol-Grip Filter	N/A	FA450

■ = yes X = no OPT = optional
*Replacement parts not available.

Discontinued IWATA CUSTOM MICRON SERIES (ORIGINAL)

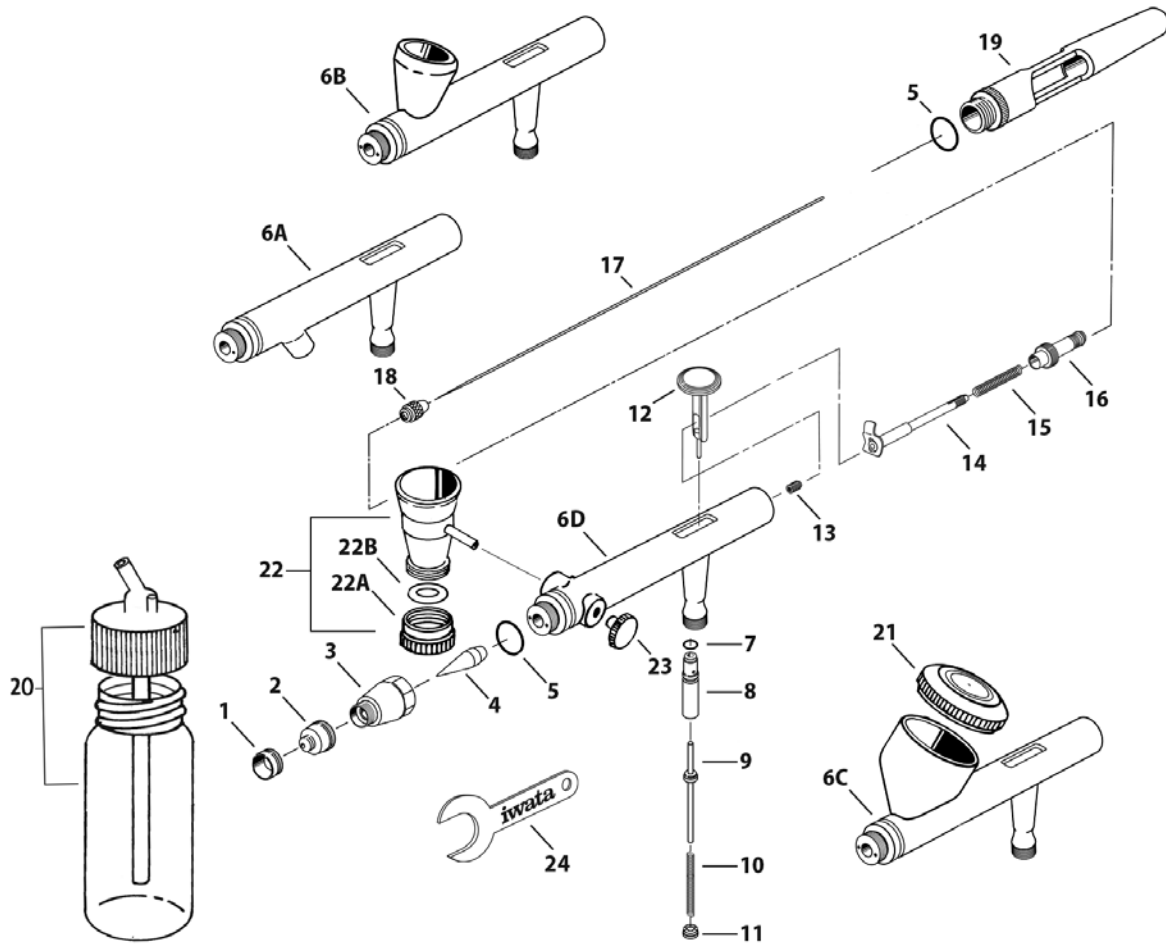


#	ITEM DESCRIPTION	PRICE CODE	ITEM #	CM-B	CM-SB	CM-C	CM-C+	ALSO FITS
1	Fluid Head System	L	I 535 1	■	■	x	x	All CM
		L	I 535 2	x	x	■	■	All CM
1A	Fluid Head Needle Crown Cap	D	I 535 1D	■	■	■	■	All CM
1B	Fluid Head Nozzle Cap	G	I 535 1C	■	■	x	x	All CM
		G	I 535 2C	x	x	■	■	All CM
1C	Fluid Head Nozzle	H	I 535 1B	■	■	x	x	All CM
		H	I 535 2B	x	x	■	■	All CM
1D	Fluid Head Nozzle Base	J	I 535 1A	■	■	■	■	All CM
2	Fluid Head O-ring	C	I 580 2	■	■	■	■	All CM
3A	Body*	SB	N/A	x	■	x	x	
3B		C	N/A	x	x	■	x	
3C		B	N/A	■	x	x	x	
3D		C+	N/A	x	x	x	■	
5	Fluid Needle Packing Set (PTFE)	D	I 590 2	■	■	■	■	All CM
6	Spring Guide	E	I 590 1	■	■	■	■	
7	Needle Chucking Guide	E	I 550 1	■	■	■	■	
8	Needle Spring	B	I 570 1	■	■	■	■	All CM
9	Needle Spring Adjuster	E	I 575 1	■	■	■	■	All CM
10	Fluid Needle	E	I 540 1	■	■	x	x	CM-C (V2)
		E	I 540 2	x	x	■	x	CM-C (V2) OPT FOR OG ONLY
		E	I 540 3	x	x	x	■	CM-C+ (V2)
11	Needle Chucking Nut	B	I 560 1	■	■	■	■	All CM
12A	Preset Handle Set	H	I 585 1	■	■	■	opt	
12B	Preset Cutaway Handle	H	I 585 2	opt	opt	opt	■	
13	Main Lever	F	I 545 1	■	■	x	x	
		F	I 545 2	x	x	■	■	
14	Air Piston	B	I 500 1	■	■	■	■	All CM

#	ITEM DESCRIPTION	PRICE CODE	ITEM #	CM-B	CM-SB	CM-C	CM-C+	ALSO FITS
15	Auxiliary Lever	B	I 515 1	■	■	■	■	
16	Air Valve O-ring (2pcs)	B	I 580 1	■	■	■	■	All CM
17	Air Valve Set	H	I 510 1	■	■	■	■	All CM
17A	Air Valve Body	F	I 510 2	■	■	■	■	All CM
17B	Air Valve	C	I 505 1	■	■	■	■	All CM
17C	Air Valve Spring	B	I 510 4	■	■	■	■	All CM
17D	Air Valve Guide	B	I 510 3	■	■	■	■	All CM
18	Needle Chucking Guide Screw	B	I 555 1	■	■	■	■	
19A	Fluid Cup Lid	E	I 530 1	x	x	■	opt	All CM
19B	Fluid Cup Lid	E	I 618 1	x	x	opt	■	All CM
20	Blanking Cover	B	I 045 2	x	■	x	x	All CM
21	Fluid Cup	G	I 070 3	x	■	x	x	All CM
		G	I 070 4	x	■	x	x	All CM
22	Packing Lower Lid (Gasket)	A	I 150 5	x	■	x	x	All CM
23	Lower Lid	C	I 095 7	x	■	x	x	All CM
28	Handle O-ring	A	I 605 1	x	x	x	■	All CM
29	Micro Air Control (MAC) Valve	D	I 190 1	x	x	x	■	All CM
30	MAC Valve O-ring	A	I 190 2	x	x	x	■	All CM
	Spanner (Nozzle Wrench)	B	I 165 1	■	■	■	■	All CM
	Quick Fit Set (QD and Adaptor)	H	I 160 3	opt	opt	opt	opt	All CM
	Quick Fit Adaptor (Adaptor Only)	C	I 160 4	opt	opt	opt	opt	All CM
	Adaptor (Iwata Airbrushes to Paasche Airhose)		J 001	opt	opt	opt	opt	All CM
	Adaptor (Iwata Airbrushes to T & C/Badger Airhoses)		J 002	opt	opt	opt	opt	All CM

■ = yes x = no opt = optional
*Replacement parts not available.

Discontinued IWATA ECLIPSE AIRBRUSH SERIES HP-SBS

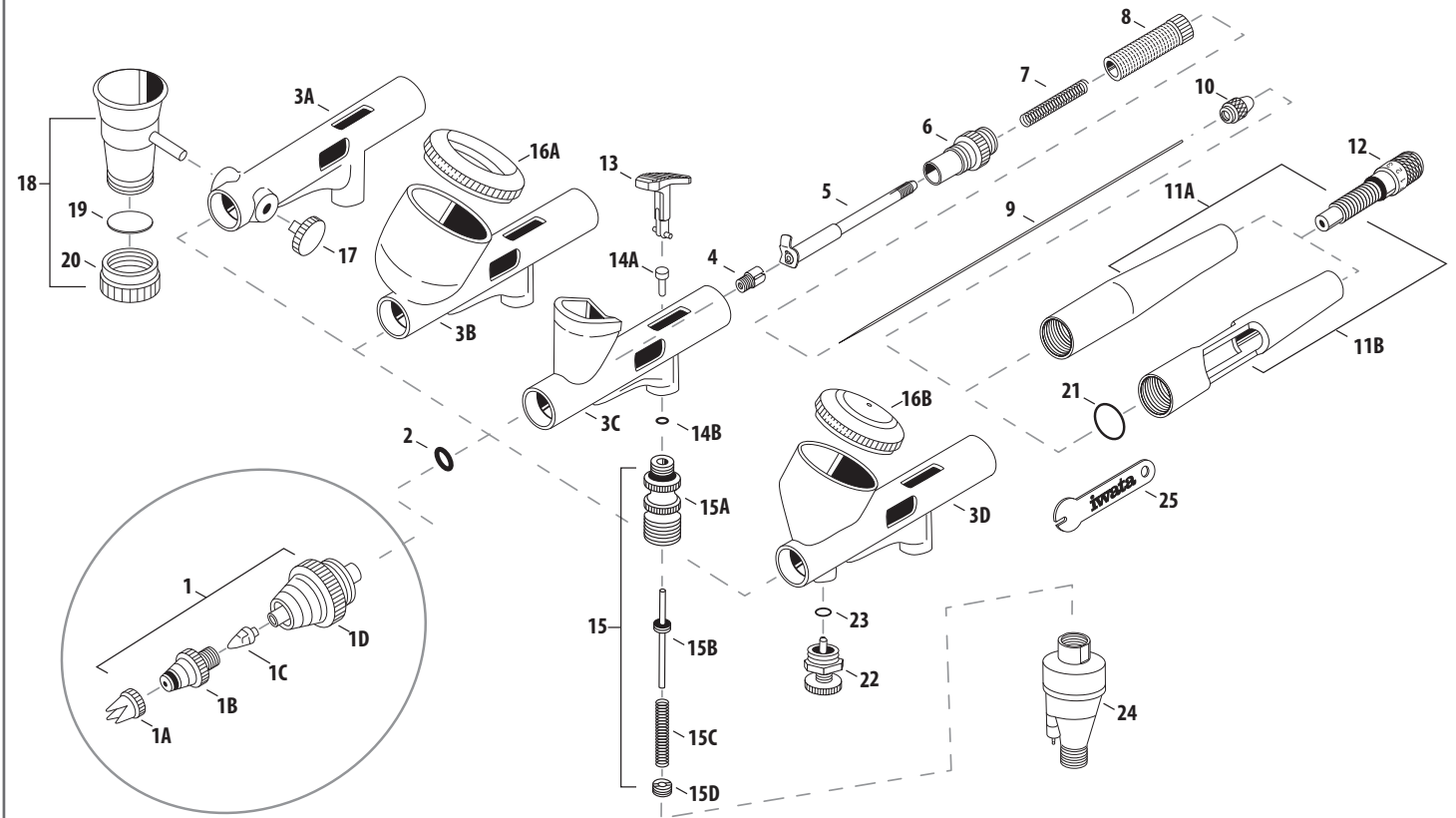


#	ITEM DESCRIPTION	PRICE CODE	ITEM #				HP-SBS
1	Needle Cap	A	I6011				■
2	Nozzle Cap	E5	B	I6021			x
		E3	C	I6022			■
3	Cap	C	I6031				■
4	Nozzle	E5	C	I6041			x
		E3	E	I6042			■
5	O-ring	A	I6051				■
6A	HP-BSC Body *	-	-				x
6B	HP-BS Body *	-	-				x
6C	HP-CS Body *	-	-				x
6D	HP-SBS Body *	-	-				■
7	Valve Piston Packing	B	I5801				■
8	Air Valve Guide Body	B	I6081				■
9	Air Valve	A	I6091				■
10	Air Valve Spring	A	I5104				■
11	Air Valve Guide Screw	A	I6111				■
12	Main Lever	C	I6121				■
13	Needle Packing Screw Set (PTFE)	A	I7251				■
14	Needle Chucking Guide	C	I7151				■
15	Needle Spring	A	I1352				x
		A	I1351				■

#	ITEM DESCRIPTION	PRICE CODE	ITEM #				HP-SBS
16	Spring Guide	C	I1702				■
17	Needle	E5	B	I6171			x
		E3	B	I6172			■
18	Needle Chucking Nut	A	I1202				■
19	Single Cut Handle	D	I6191				■
	Preset Handle	G	I1552				OPT
20	Bottle	2 oz / 60 ml	-	A4702			x
21	Lid	C	I6181				x
22	Cup (Side)	0.05 oz / 1.50 ml	G	I0703			■
	Cup (Side) with Lid	0.24 / 7 ml	G	I0704			OPT
22A	Cup Lower Lid	0.05 oz / 1.50 ml	B	I0956			■
		0.24 / 7 ml	C	I0957			OPT
22B	Cup Packing Lower Lid	A	I1505				■
23	Blanking Cover	A	I0452				■
	Needle Crown Cap	D	I1050				OPT
	QuickFit Quick Disconnect Set	H	I1603				OPT
	QuickFit Quick Disconnect Airbrush Adaptor	C	I1604				OPT
	Airbrush Adapter for Paasche Air Hose	-	J001				OPT
	Airbrush Adapter for T&C/Badger Air Hoses	-	J002				OPT
24	Spanner Head Cap Wrench	A	I6301				■

■ = yes X = no OPT = optional
*Replacement parts not available.

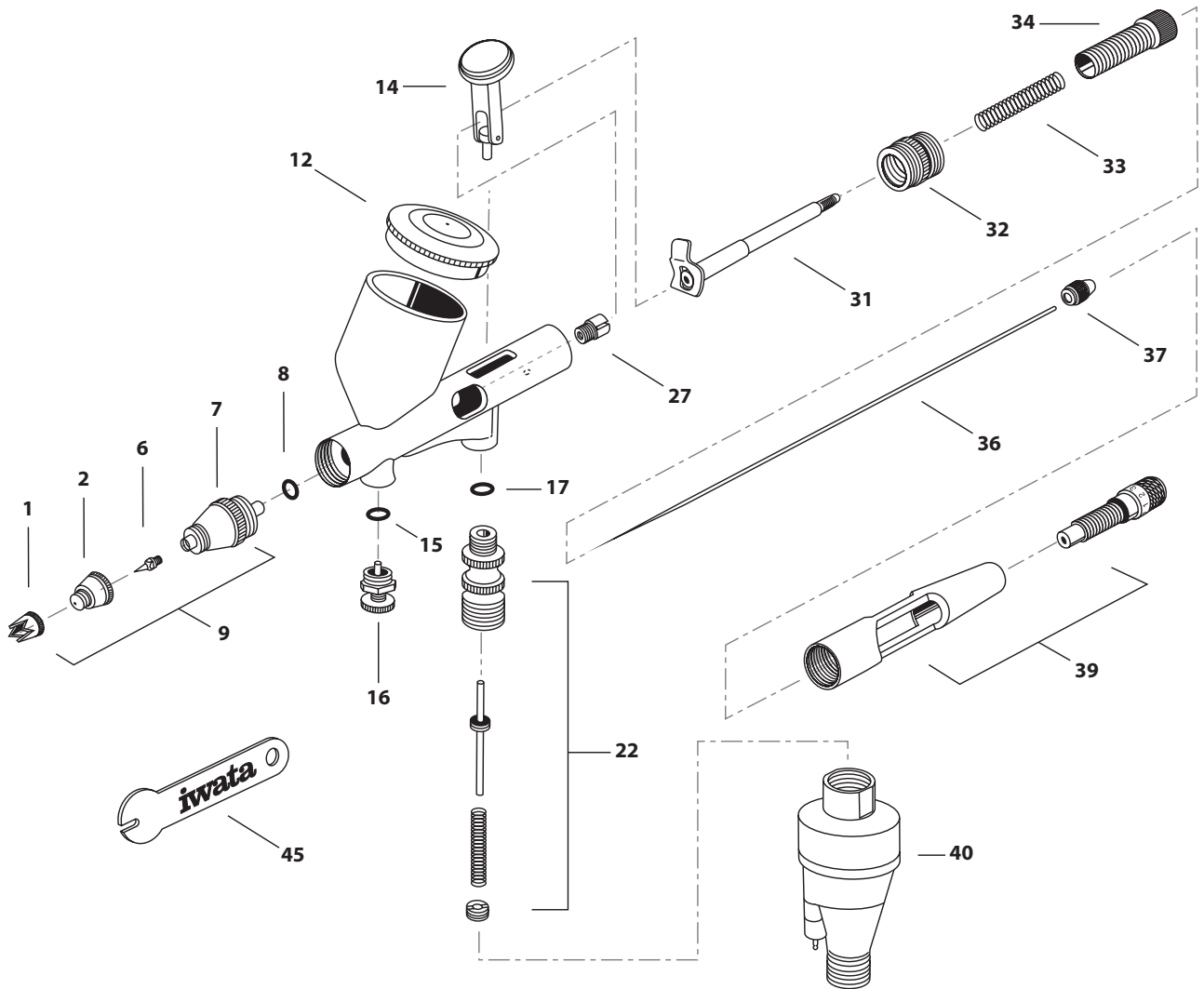
Discontinued IWATA CUSTOM MICRON AIRBRUSH SERIES (VERSION 2) CM-SB



#	ITEM DESCRIPTION	PRICE CODE	ITEM #	CM-SB
1	Head System	C1	L I5351	■
		C2	L I5352	x
1A	Head Needle Crown Cap	D	I5351D	■
1B	Head Nozzle Cap	C1	G I5351C	■
		C2	G I5352C	x
1C	Head Nozzle	C1	H I5351B	■
		C2	H I5352B	x
1D	Head Nozzle Base	J	I5351A	■
2	Head Packing	C	I5802	■
3A	CM-SB Body*	-	-	■
3B	CM-C Body*	-	-	x
3C	CM-B Body*	-	-	x
3D	CM-C Plus Body*	-	-	x
4	Needle Packing Screw (PTFE)	D	I5902	■
5	Needle Chucking Guide	C	I1157	■
6	Spring Guide	C	I5903	■
7	Needle Spring	B	I5701	■
8	Needle Spring Adjuster	E	I5751	■
9	Head Needle	C1	E I5404	■
		C2	E I5402	x
		C2	E I5403	x
10	Needle Chucking Nut	B	I5601	■
11A	Handle (Preset)	H	I5854	■
11B	Handle (Preset/Single Cut)	H	I5855	OPT

#	ITEM DESCRIPTION	PRICE CODE	ITEM #	CM-SB
12	Handle Crown Cap Dock (Preset)	E	I5861	■
13	Main Lever	D	I5454	■
14A	Valve Piston	B	I5001	■
14B	Valve Piston Packing	B	I5801	■
15	Air Valve Set	H	I5101	■
15A	Air Valve Body	-	-	■
15B	Air Valve	-	-	■
15C	Air Valve Spring	-	-	■
15D	Air Valve Guide	-	-	■
16A	Cup Lid	0.24 oz / 7 ml	E I5301	x
16B	Cup Lid (Gravity)	0.24 oz / 7 ml	E I6181	x
17	Blanking Cover	A	I0452	■
18	Cup (Side)	0.05 oz / 1.50 ml	G I0703	■
19	Cup Packing Lower Lid	A	I1505	■
20	Cup Lower Lid	0.05 oz / 1.50 ml	B I0956	■
21	Handle O-Ring	A	I6051	x
22	MAC Valve Set	D	I1901	x
23	MAC Valve Packing	A	I1902	x
24	Pistol-Grip Filter	-	FA450	■
25	Spanner	B	I1651	■
	QuickFit Quick Disconnect Set	H	I1603	OPT
	QuickFit Quick Disconnect Airbrush Adaptor	C	I1604	OPT
	Airbrush Adapter for Paasche Air Hose	-	J001	OPT
	Airbrush Adapter for T&C/Badger Air Hoses	-	J002	OPT

Discontinued — IWATA KUSTOM SERIES - CUSTOM MICRON CM

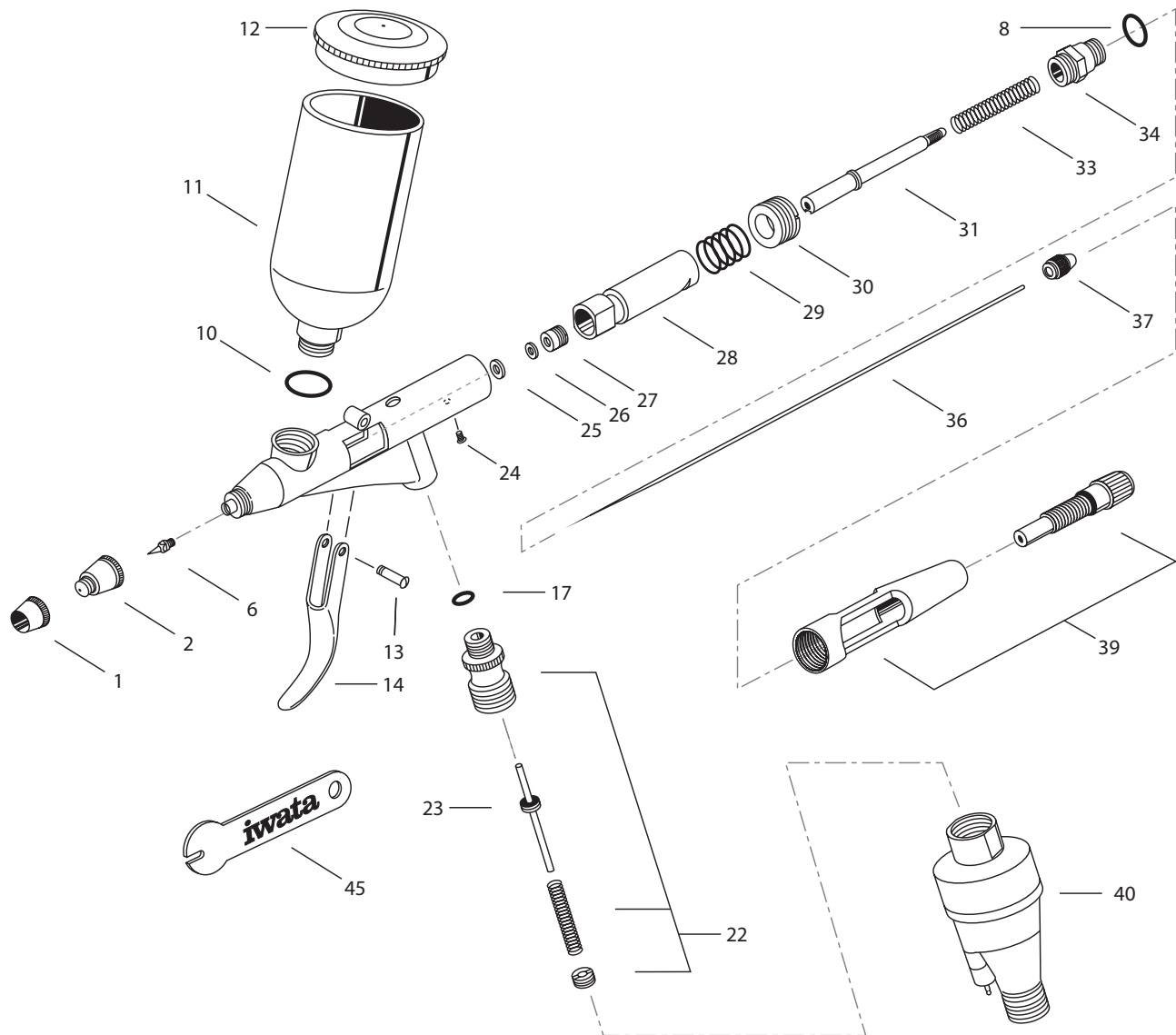


#	ITEM DESCRIPTION	PRICE CODE	ITEM #	K 9000	ALSO FITS
1	Needle Cap	D	I 535 1D	■	
2	Nozzle Cap 0.23 mm	G	I 535 2C	■	
6	Fluid Nozzle 0.23 mm	H	I 535 2B	■	
7	Head System Base	J	I 535 1A	■	
8	Packing Fluid Head	C	I 580 2	■	
9	Fluid Head System 0.23 mm	L	I 535 2	■	
12	Cup Lid	L	I 718 1	■	REV CR, CH
14	Main Lever	C	I 545 3	■	CH
15	Packing MAC Valve	C	I 190 2	■	
16	Micro Air Control (MAC) Valve	D	I 190 1	■	TH, CH
17	Air Valve O-ring	B	I 580 1	■	CS

#	ITEM DESCRIPTION	PRICE CODE	ITEM #	K 9000	ALSO FITS
22	Air Valve Set	H	I 510 1	■	
27	Needle Packing Set (PTFE)	D	I 590 2	■	
31	Needle Chucking Guide with Auxiliary Lever	C	I 115 7	■	
32	Spring Guide Screw	C	I 565 2	■	
33	Spring	B	I 570 1	■	
34	Needle Spring Adjuster	E	I 575 1	■	
36	Fluid Needle 0.23 mm	E	I 540 3	■	
37	Needle Chucking Nut	A	I 120 1	■	TH, TR, CH, CS
39	Preset Cutaway Handle	H	I 585 3	■	
40	Pistol-Grip Filter	N/A	FA 450	■	ALL
45	Spanner Wrench	A	I 165 1	■	

■ = yes X = no opt = optional

Discontinued — IWATA KUSTOM SERIES - REVOLUTION TR

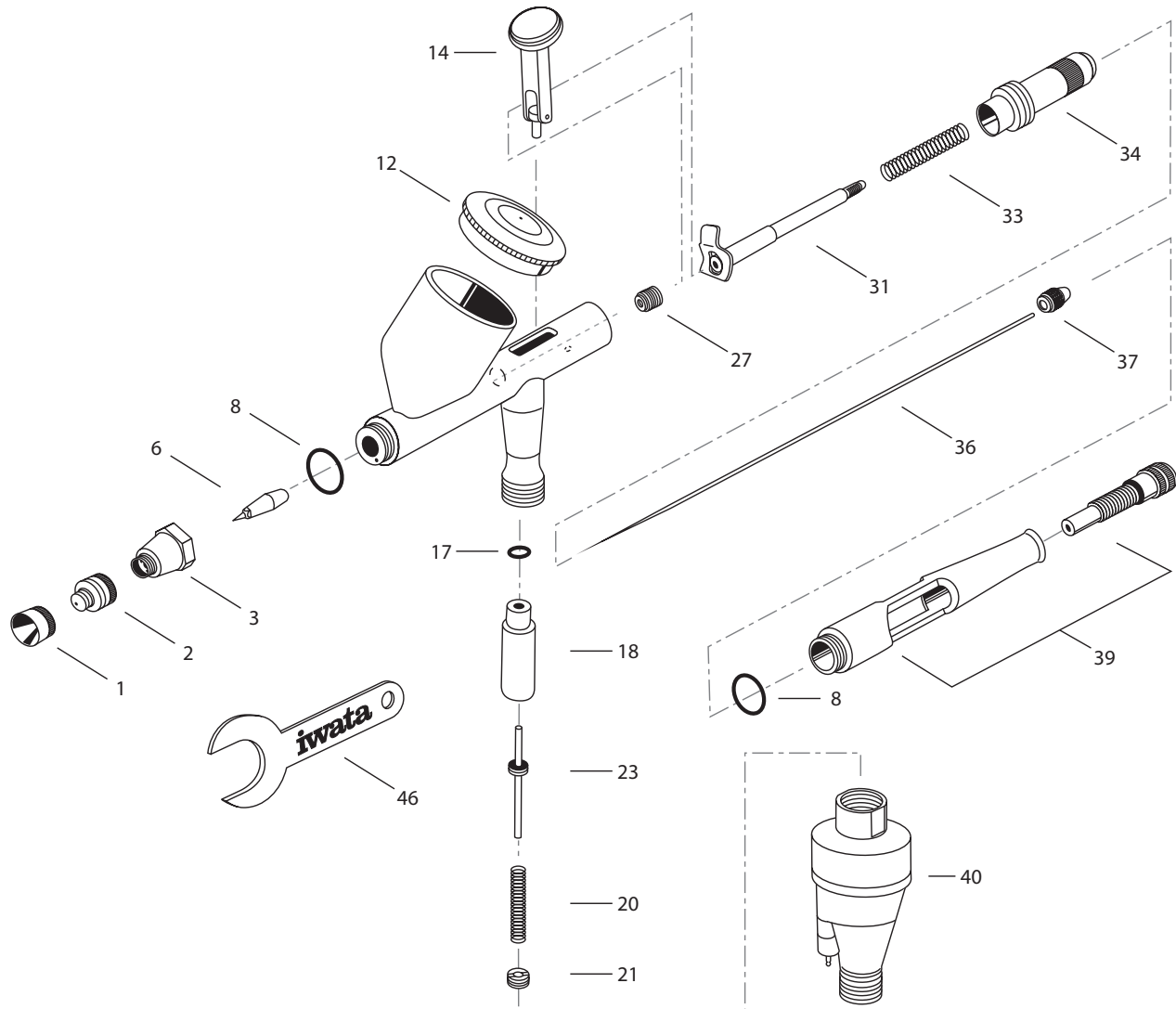


#	ITEM DESCRIPTION	PRICE CODE	ITEM #	K 9400	ALSO FITS
1	Needle Cap	A	I 701 3	■	
2	Nozzle Cap 0.30 mm	C	I 702 2	■	
6	Fluid Nozzle 0.30 mm	C	I 704 2	■	
8	Packing Head	A	I 605 1	■	CH, CS
10	Packing Center Cup	A	I 150 7	■	
11	Center Cup	G	I 070 7	■	
12	Cup Lid	C	I 095 9	■	
13	Trigger Screw	C	I 714 2	■	TH
14	Trigger	I	I 714 1	■	TH
17	Air Valve O-ring	A	I 145 1	■	TH, CH
22	Air Valve Set	G	I 712 1	■	TH
23	Air Valve	C	I 713 1	■	
24	Main Body Ring Screw	D	I 731 2	■	TH
25	PTFE Needle Packing	B	I 725 3	■	

#	ITEM DESCRIPTION	PRICE CODE	ITEM #	K 9400	ALSO FITS
26	Needle Packing	A	I 150 2	■	
27	Needle Packing Screw	C	I 725 2	■	
28	Slide Cam	I	I 730 1	■	TH
29	Slide Cam Spring	B	I 730 2	■	TH
30	Main Body Ring	D	I 731 1	■	TH
31	Needle Chucking Guide	F	I 715 2	■	TH
33	Spring	A	I 770 3	■	TH
34	Spring Guide	E	I 170 7	■	TH
36	Fluid Needle 0.30 mm	C	I 717 4	■	
37	Needle Chucking Nut	A	I 120 1	■	TH, CM, CH, CS
39	Preset Cutaway Handle	G	I 155 4	■	
40	Pistol-Grip Filter	N/A	FA 450	■	ALL
45	Spanner Wrench	A	I 165 1	■	

■ = yes X = no opt = optional

Discontinued — IWATA KUSTOM SERIES - ECLIPSE CS

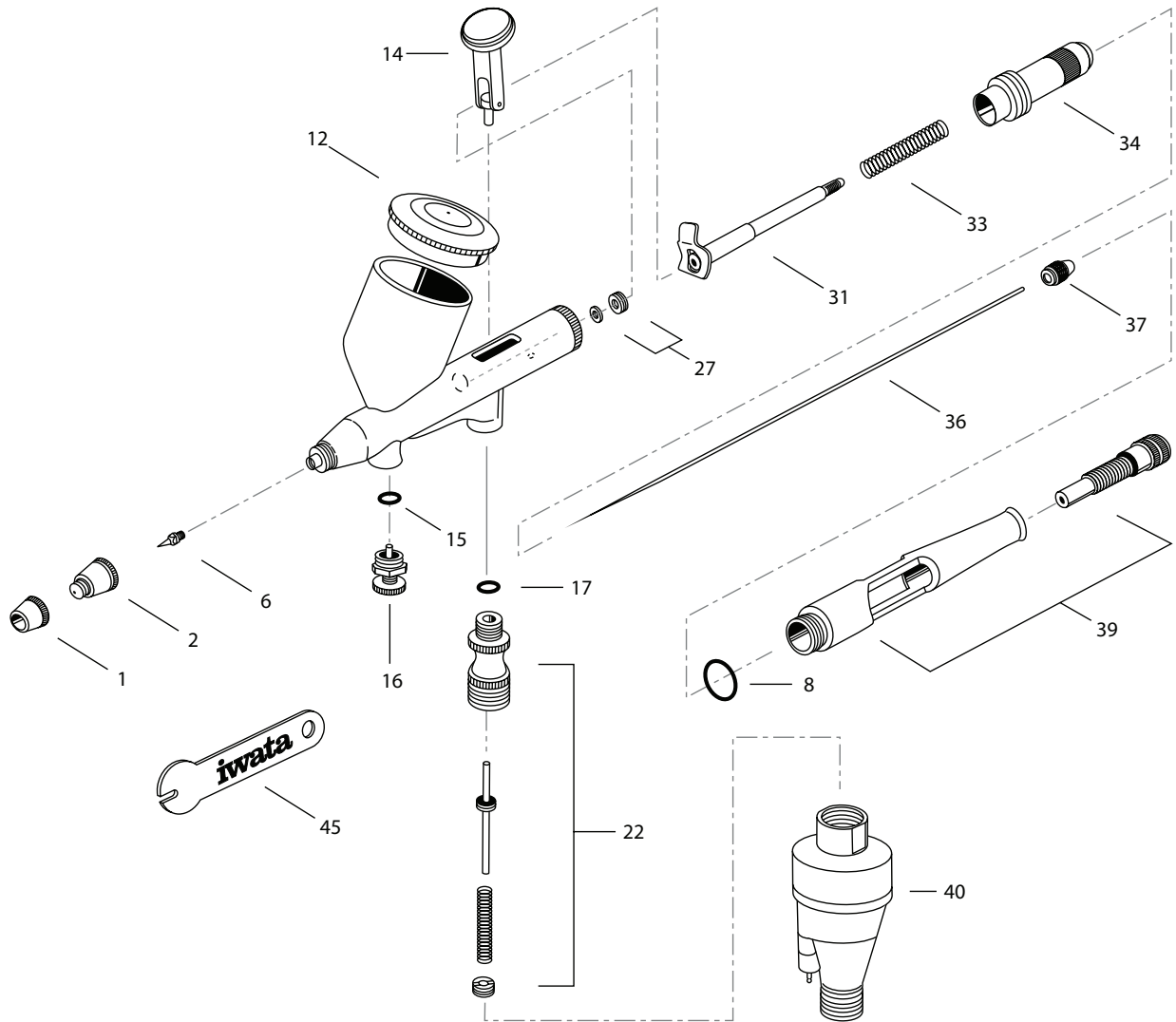


#	ITEM DESCRIPTION	PRICE CODE	ITEM #	K 9300	ALSO FITS
1	Needle Cap	A	I 601 1	■	
2	Nozzle Cap E3	B	I 602 2	■	
3	Head Cap	C	I 603 1	■	
6	Fluid Nozzle E3	E	I 604 2	■	
8	O-ring	A	I 605 1	■	TR, CH
12	Cup Lid	C	I 618 1	■	
14	Main Lever	C	I 612 3	■	
17	Valve Piston Packing	B	I 580 1	■	CM
18	Air Valve Guide Body	B	I 608 1	■	
20	Air Valve Spring	A	I 510 4	■	
21	Air Valve Guide Screw	A	I 611 1	■	
23	Air Valve	A	I 609 1	■	

#	ITEM DESCRIPTION	PRICE CODE	ITEM #	K 9300	ALSO FITS
27	Needle Packing Screw Set (PTFE)	B	I 725 1	■	BCR/CR/SAR M1/M2/ECL CH/C+/BC+ KCS
31	Needle Chucking Guide with Auxiliary Lever	C	I 715 1	■	CH
33	Needle Spring	A	I 135 1	■	CH
34	Spring Guide	B	I 770 1	■	CH
36	Fluid Needle E3	B	I 617 2	■	
37	Needle Chucking Nut	A	I 120 1	■	TH, TR, CM, CH
39	Preset Cutaway Handle	G	I 155 6	■	CH
40	Pistol-Grip Filter	N/A	FA 450	■	ALL
46	Spanner Head Cap Wrench	A	I 630 1	■	

■ = yes X = no opt = optional

Discontinued — IWATA KUSTOM SERIES - HI-LINE CH

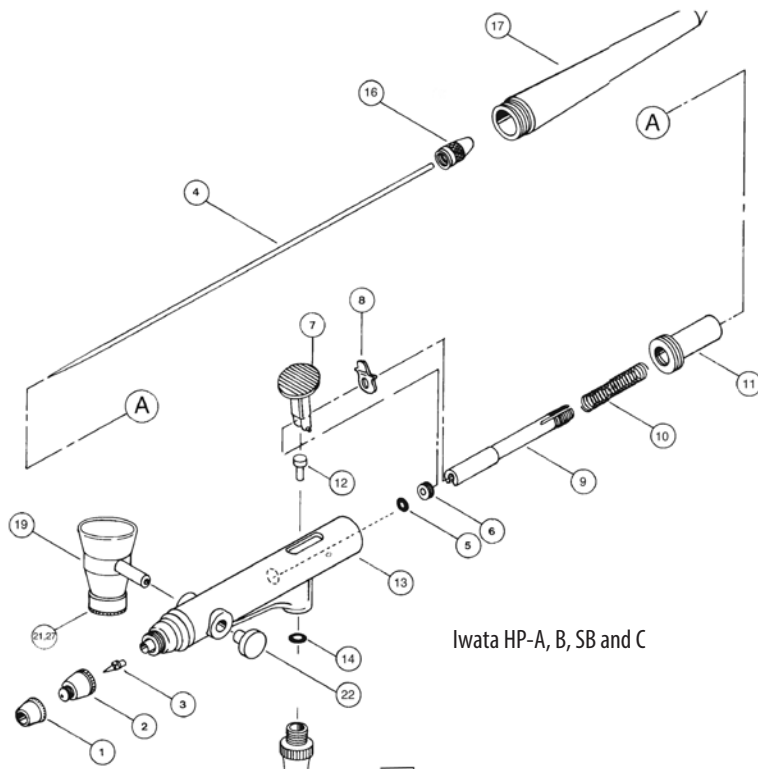


#	ITEM DESCRIPTION	PRICE CODE	ITEM #	K 9100	ALSO FITS
1	Needle Cap	B	I 110 2	■	
2	Nozzle Cap 0.30 mm	D	I 140 3	■	
6	Fluid Nozzle 0.30 mm	G	I 080 8	■	
8	Packing Head	A	I 605 1	■	TR, CS
12	Cup Lid	C	I 718 1	■	CM
14	Main Lever	C	I 545 3	■	CM
15	Packing MAC Valve	A	I 190 2	■	TH, CM
16	Micro Air Control (MAC) Valve	D	I 190 1	■	TH, CM
17	Air Valve O-ring	A	I 145 1	■	TH, CM
22	Air Valve Set	G	I 030 4	■	

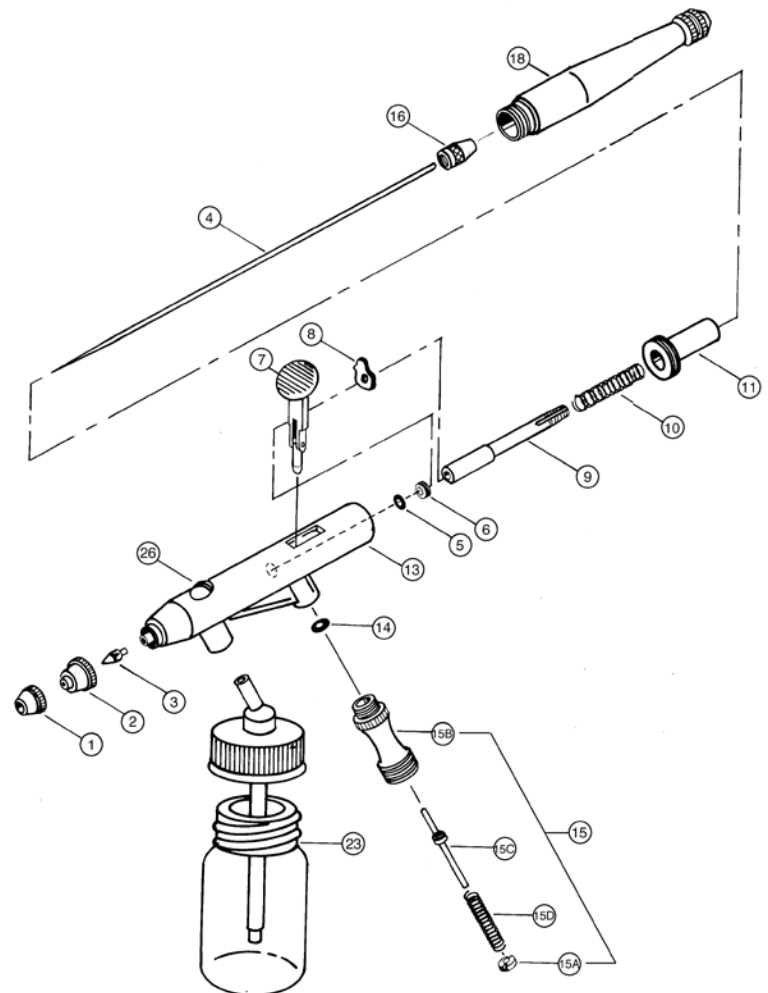
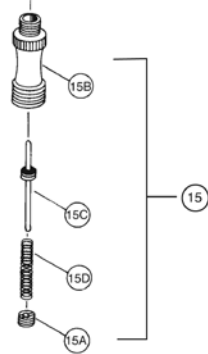
#	ITEM DESCRIPTION	PRICE CODE	ITEM #	K 9100	ALSO FITS
27	Needle Packing Screw Set (PTFE)	B	I 725 1	■	BCR/CR/SAR M1/M2/ECL CH/C+/BC+ KCS
31	Needle Chucking Guide	C	I 715 1	■	CS
33	Spring	F	I 715 2	■	CS
34	Spring Guide	A	I 770 1	■	CS
36	Fluid Needle 0.30 mm	C	I 075 3	■	
37	Needle Chucking Nut	A	I 120 1	■	TH, TR, CM, CS
39	Preset Cutaway Handle	G	I 155 6	■	CS
40	Pistol-Grip Filter	N/A	FA 450	■	ALL
45	Spanner Wrench	A	I 165 1	■	

■ = yes X = no opt = optional

Discontinued — IWATA HIGH PERFORMANCE SERIES - A, B, SB, C, BC, BC2



Iwata HP-A, B, SB and C



Discontinued — IWATA HIGH PERFORMANCE SERIES - A, B, SB, C, BC, BC2

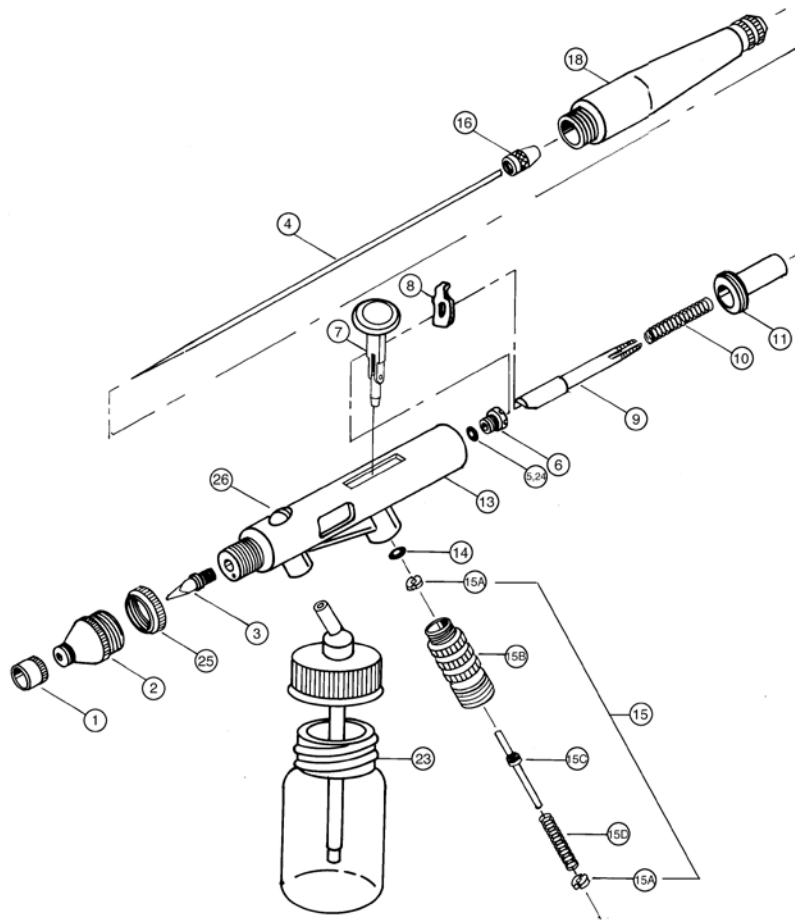
#	ITEM DESCRIPTION	PRICE CODE	ITEM #	HP A	HP B	HP SB	HP C	HP BC	HP BC2
1	Needle Cap	B	I 110 1	■	■	■	x	x	x
		B	I 110 2	x	x	x	■	■	■
2	Nozzle Cap	0.2 mm	D	I 140 1	■	■	■	x	x
		0.3 mm	D	I 140 3	x	x	x	■	■
		0.4 mm	D	I 140 4	x	x	x	opt	opt
3	Fluid Nozzle	0.2 mm	G	I 080 1	■	■	■	x	x
		0.3 mm	G	I 080 3	x	x	x	■	■
		0.4 mm	G	I 080 4	x	x	x	opt	opt
4	Fluid Needle	0.2 mm	C	I 075 1	■	■	■	x	x
		0.3 mm	C	I 075 3	x	x	x	■	■
		0.4 mm	C	I 075 4	x	x	x	opt	opt
5	Needle Packing (Not PTFE)	A	I 150 1	■	■	■	x	x	
		A	I 150 2	x	x	x	■	■	
6	Needle Packing Screw	A	I 125 1	■	■	■	■	■	
7	Main Lever	D	I 100 1	■	■	■	x	x	
		D	I 100 2	x	x	x	■	x	
	Main Lever/Piston	G	I 100 3	x	x	x	x	■	
8	Auxiliary Lever	A	I 040 1	■	■	■	x	x	
		A	I 040 4	x	x	x	■	x	
		A	I 040 5	x	x	x	x	■	
9	Needle Chucking Guide	C	I 115 1	■	■	■	x	x	
		C	I 115 2	x	x	x	■	■	
10	Needle Spring	A	I 135 2	■	■	■	x	x	
		A	I 135 3	x	x	x	■	■	
11	Spring Guide	C	I 170 1	■	■	■	x	x	
		C	I 170 2	x	x	x	■	■	
12	Valve Piston	A	I 175 1	■	■	■	■	x	
13	Body*		N/A	■	x	x	x	x	
			N/A	x	■	x	x	x	
			N/A	x	x	■	x	x	
			N/A	x	x	x	■	x	
			N/A	x	x	x	x	■	
14	Air Valve O-ring	A	I 145 1	■	■	■	■	■	

#	ITEM DESCRIPTION	PRICE CODE	ITEM #	HP A	HP B	HP SB	HP C	HP BC	HP BC2
15	Air Valve Set	G	I 030 1	■	■	■	x	x	
		G	I 030 4	x	x	x	■	■	
15A	Air Valve Guide	A	I 025 1	■	■	■	■	■	
15B	Air Valve Body	D	I 020 1	■	■	■	■	■	
15C	Air Valve	B	I 015 1	■	■	■	x	x	
		B	I 015 4	x	x	x	■	■	
15D	Air Valve Spring	A	I 035 1	■	■	■	■	■	
16	Needle Chucking Nut	A	I 120 1	■	■	■	x	x	
		A	I 120 2	x	x	x	■	■	
17	Handle	E	I 090 1	■	■	■	x	x	
		E	I 090 2	x	x	x	■	x	
18	Preset Handle	G	I 155 1	opt	opt	opt	x	x	
		G	I 155 2	x	x	x	opt	■	
26	Blanking Screw	B	I 045 1	x	x	x	x	■	
22	Blanking Cover	A	I 045 2	x	x	■	x	x	
23	Glass Bottles	3/4 oz	G	I 405 2	x	x	x	x	
		1/2 oz	G	I 420 2	x	x	x	opt	
	Spanner	A	I 165 1	■	■	■	■	■	
	Crown Cap	D	I 105 0	opt	opt	opt	opt	opt	
	Quick Fit Set (QD Screws Onto Airhose and Adaptor Screws Onto Airbrush)		I 160 3	opt	opt	opt	opt	opt	
	Quick Fit Adaptor (Adaptor Screws Onto Airbrush)		I 160 4	opt	opt	opt	opt	opt	
	Adaptor (Iwata Airbrushes to Paasche Air Hose)		J 001	opt	opt	opt	opt	opt	
	Adaptor (Iwata Airbrushes to T & C/Badger Air Hoses)		J 002	opt	opt	opt	opt	opt	
	Fluid Cup								
	Side Cup 1/8 oz	G	I 070 3	x	x	■	x	x	
	Side Cup w/Lid 1/4 oz	G	I 070 4	x	x	opt	x	x	
	Gravity Cup w/Lid 1/2 oz		I 070 6	x	x	opt	x	x	
25	Lid	C	I 095 4	x	x	x	■	x	
21	Lid Cover 1/8, 1/4 oz	C	I 095 7	x	x	■	x	x	
27	Packing Lower Lid (Gasket)	A	I 150 5	x	x	■	x	x	

■ = yes x = no opt = optional

*Replacement parts not available.

Discontinued — IWATA HIGH PERFORMANCE SERIES - BE1, BE2, E1



#	ITEM DESCRIPTION	PRICE #	ITEM #	HP BE1	HP BE2	HP E1	HP E2
	Adjusting Screw	A	I 005 2	x	x	■	■
1	Needle Cap	C	I 110 3	x	x	■	■
		C	I 110 4	■	■	x	x
2	Nozzle Cap	G	I 140 5	■	x	■	x
		G	I 140 6	x	■	x	■
3	Fluid Nozzle	G	I 080 5	■	x	■	x
		G	I 080 6	x	■	x	■
4	Fluid Needle	D	I 075 5	■	x	■	x
		D	I 075 6	x	■	x	■
	Handle	F	I 090 3	x	x	■	■
5	Packing Fluid Needle (O-ring)	B	I 150 3	■	■	■	x
6	Needle Packing Screw	D	I 125 2	x	x	■	x
		D	I 125 4	■	■	x	x
6	Needle Packing Set (Not PTFE)	E	I 125 3	x	x	x	■
7	Main Lever	G	I 100 4	x	x	■	■
		G	I 100 5	■	■	x	x
8	Auxiliary Lever	A	I 040 2	■	■	■	■
9	Needle Chucking Guide	E	I 115 3	x	x	■	■
		E	I 115 4	■	■	x	x
10	Needle Spring	A	I 135 4	x	x	■	■
		A	I 135 5	■	■	x	x
11	Spring Guide	D	I 170 3	■	■	x	x
13	Body*		N/A	x	x	■	x
			N/A	x	x	x	■
			N/A	■	x	x	x
			N/A	x	■	x	x

#	ITEM DESCRIPTION	PRICE CODE	ITEM #	HP BE1	HP BE2	HP E1	HP E2
14	Air Valve O-ring	A	I1451	■	■	■	■
15	Air Valve Set	H	I 030 2	■	■	■	■
15A	Air Valve Guide	B	I 025 2	■	■	■	■
15B	Air Valve Body	F	I 020 2	■	■	■	■
15C	Air Valve	D	I 015 2	■	■	■	■
15D	Air Valve Spring	A	I 035 2	■	■	■	■
16	Needle Chucking Nut	A	I 120 3	■	■	■	■
18	Pre Set Handle	G	I 155 3	■	■	x	x
23	Glass Bottles		3/4 oz	opt	opt	x	x
			1-1/2 oz	G	I 420 2	■	■
24	Needle Seat	A	I 130 1	■	■	■	x
25	Washer	D	I 180 1	■	x	■	x
		D	I 180 2	x	■	x	■
26	Blanking Screw	B	I 045 1	■	■	x	x
	Spanner	B	I 165 2	■	■	x	x
	Valve Piston	A	I 175 2	x	x	■	■
	Quick Fit Set (QD Screws Onto Air Hose and Adaptor Screws Onto Airbrush)		I 160 3	opt	opt	opt	opt
	Quick Fit Adaptor (Adaptor Screws Onto Airbrush)		I 160 4	opt	opt	opt	opt
	Adaptor (Iwata Airbrushes to Paasche Air Hose)		J 001	opt	opt	opt	opt
	Adaptor (Iwata Airbrushes to T & C/Badger Air Hoses)		J 002	opt	opt	opt	opt

■ = yes x = no opt = optional

*Replacement parts not available.

iwata

by **ANEST IWATA**

www.iwata-airbrush.com

©2018 ANEST IWATA-MEDEA, Inc. All rights reserved.